

Ferrolì

RLA

AIR COOLED WATER CHILLERS
AND HEAT PUMPS WITH AXIAL FANS



TECNICAL MANUAL

TABLE OF CONTENTS

THIS MANUAL IS DIVIDED INTO SECTIONS. THEIR NAMES APPEAR IN THE HEADING OF EACH PAGE.

GENERAL SPECIFICATIONS	4
General specifications	4
European Directives	4
Identification plate of the Unit	4
Presentation of the unit	5
Identification code of the unit	5
Description of the components	6
Version with Desuperheater VD (available for both IR units and IP units)	8
Total Heat Recovery unit VR (only available for IR units)	8
ACCESSORIES AND OPTIONAL EQUIPMENT	9
Accessories	9
Mechanical options	9
Electrical options	9
"STORING AND HYDRONIC KIT" OPTIONS	10
Options	12
TECHNICAL DATA AND PERFORMANCE - BASE VERSION (VB)	13
GENERAL TECHNICAL SPECIFICATIONS	13
NET NOMINAL performances - Standard unit (AB) - Standard plants - EUROVENT certified data	14
NET NOMINAL performances - Standard unit (AB) - Standard plants	14
GROSS NOMINAL performances - Standard unit (AB) - Standard plants	14
NET NOMINAL performances - Standard unit (AB) - Radiant plants	15
NET NOMINAL performances - Low noise unit (AS) - Standard plants - EUROVENT certified data	16
NET NOMINAL performances - Low noise unit (AS) - Standard plants	16
GROSS NOMINAL performances - Low noise unit (AS) - Standard plants	16
NET NOMINAL performances - Low noise unit (AS) - Radiant plants	17
NET NOMINAL performances - Extra low noise unit (AX) - Standard plants - EUROVENT certified data	18
NET NOMINAL performances - Extra low noise unit (AX) - Standard plants	18
GROSS NOMINAL performances - Extra low noise unit (AX) - Standard plants	18
NET NOMINAL performances - Extra low noise unit (AX) - Radiant plants	19
COOLING performances	20
HEATING performances	21
Correction factor for the use of glycol in heating mode	22
Correction factor for the use of glycol in cooling mode	23
Fouling factors	23
TECHNICAL DATA AND PERFORMANCE - DESUPERHEATER VERSION (VD)	24
NET NOMINAL performances - IR unit - Standard plants	24
GROSS NOMINAL performances - IR unit - Standard plants	25
NET NOMINAL performances - IP unit - Standard plants	26
GROSS NOMINAL performances - IP unit - Standard plants	27
Desuperheaters VD performances	28
Corrective factors	29
TECHNICAL DATA AND PERFORMANCE - RECOVERY VERSION (VR)	30
NET NOMINAL performances - IR unit - Standard plants	30
GROSS NOMINAL performances - IR unit - Standard plants	31
Total recovery VR performances	32
BR - BP UNIT	33
Corrective factors	33
NOISE LEVELS	34
OPERATING LIMITS	35
WATER PRESSURE DROP	36
Plant side exchanger	36
Desuperheaters	37
Total recovery exchanger	38
WORKING HEAD	39
Working head pumps MP AM STD e MP SS STD	39
Working head pumps MP AM HP1 e MP SS HP1	40
DIMENSIONAL AND PHYSICAL DATA	41
Overall dimensions	41
Minimum space required for operation	41

The manufacturer declines all responsibility for any inaccuracies in this manual due to printing or typing errors.
The manufacturer reserves the right to modify the products contents in this catalogue without previous notice.

GENERAL SPECIFICATIONS

Presentation of the unit

This new series of industrial chillers and heat pumps has been designed to meet the demands of global markets in the small-medium power industrial and commercial plants. Units are compact and highly configurable, built to fit different types of plants so to meet the needs of highly qualified engineers.

Units are water chillers and heat pumps condensed in air with axial fans suitable for outdoor installation: the structure and panels are robust, made of galvanized and painted steel; all fasteners are made of stainless steel or galvanized steel, the frame containing the electrical equipment and all the components exposed to weather have a minimum **IP54** degree of protection.

This series is composed of seven models divided in 9 sizes with nominal cooling capacity **from 155 to 413 kW** and thermal capacity **from 168 to 435 kW**.

The units product cold water from **5 to 25°C** (in summer) and hot water from **30 to 55°C** (in winter) and as optional they are equipped with continuous adjustment of axial fans rotating speed in order to allow the units to operate both with low outdoor temperature in cooling mode and with high outdoor temperature in heating mode as well as to reduce noise emissions.

All the units are equipped with 4 scroll compressors arranged in pairs (tandem) on 2 circuits operating with environmental friendly **R410A** gas, brazed plate heat exchanger completely insulated and protected by water side with a differential pressure control and with an antifreeze electrical heater, electronic expansion valve, coil heat exchanger made of louver aluminum fins and copper tubes, axial fans with profiled blades to contain noise and with thermal protection built-in, on-board electrical control panel equipped with control system to manage the main functions.

Hydronic group (MP) composed of fittings and connections is available as an accessory with 1 or 2 pumps and also with high available head pumps; the accessory Water Storage Tank (SAA) is completely insulated and available on delivery side or for primary-secondary hydraulic circuit (Victaulic connections already in place) depending on the kind of plants to serve.

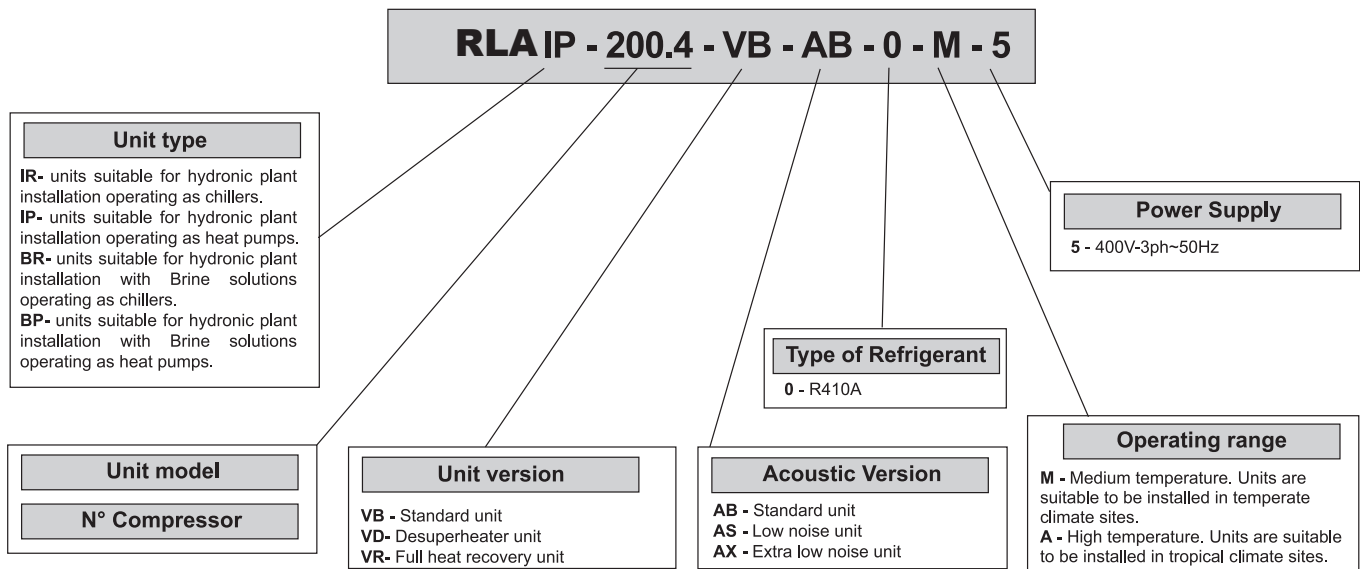
A variety of other accessories are available to extend the capabilities of the units.

During the design of the units particular attention has been given to achieve high system efficiency, to reduce overall energy consumptions and sound levels in order to meet the increasingly restrictive laws in terms of noise. Upon request, you can choose for a Standard Unit (AB) a Low Noise Unit (AS) which provides sound attenuation thanks to sound absorbing insulation in compressors area, sound jackets on compressors, a head pressure control to reduce axial fans speed or an Extra Low Noise Unit (AX), which provides in addition slower axial fans, more powerful finned coils and activation logic of the compressors in saturation.

All units are accurately build in compliance with the existing standards and are individually tested in factory. Only electrical and hydraulic connections are required for installation.

Identification code of the unit

The codes that identify the units are listed below and include the sequences of letters that determine the meanings for the various versions and set-ups.



The available special versions are described below:

VB: Standard unit.

VD: Version with Desuperheater (available for both IR units and IP units)

Produces cold water in the same way as the standard version plus hot water from 30 to 70°C at the same time. This is achieved by installing a water-refrigerant gas heat exchanger between the compressor and coils in order to recover 20 to 25% of the heating capacity that would otherwise be dispersed in the air.

It helps to remind that hot water production is possible only in combination with cold-hot water production in the main heat exchanger and it is subordinated by it.

VR: Total Heat Recovery version

Produces cold water as in the standard version plus hot water at a temperature of 35 to 55°C at the same time. This is achieved thanks to a water-refrigerant gas heat exchanger that totally recovers the heating capacity that would otherwise be dispersed in the air. The total heat recovery function is enabled and disabled by means of a valve on the compressor delivery of each circuit: when the temperature of the water that enters the recuperator drops, the valve switches the hot gas flow from the condensing coils to the recovery heat exchanger. On the other hand, when the temperature of the water reaches the set-point, the valve shuts off the heat recuperator and switches the hot gas flow to the condensing coils.

It helps to remind that hot water production is possible only in combination with cold water production in the main heat exchanger and it is subordinated by it.

GENERAL SPECIFICATIONS

Description of the components

1. Fans. These are the helical type with scythe-shaped blades to increase the efficiency and reduce the noise level. The fans are directly coupled to the single-phase motor by means of an external rotor. Thermal protection against operating faults is installed inside the winding. As standard they are equipped with continuous adjustment of axial fans rotating speed in order to allow the units to operate both with low outdoor temperature in cooling mode and with high outdoor temperature in heating mode.

2. Electric control and monitoring panel.

It is housed in a cabinet made of adequately thick painted sheet metal suitable for outdoor installation (protection degree IP 54). The panel comprises the following main components:

- Main door-locking circuit-breaker.
- Fuse holders with protection fuses for each compressor.
- Fuse holders with protection fuses for the antifreeze heater.
- Fuse holders and protection fuses for the fans (accessories).
- Fan control contactors.
- Insulating and safety transformer to power the auxiliaries, protected with fuses.
- Basic monitoring board with microprocessor

Control system main functions:

temperature control of the water produced by the unit, compressor and pump operating hour counter, timing and cycling of start-ups, input parameters by keyboard, alarms management, smart defrosting control and operating mode change (only IP unit), dynamic set-point (climatic control), scheduling and integrative heaters control ATC. If you installed the hydronic kit these functions are enabled: antifreeze with pump, start-up cycle after prolonged inactivity (anti-sticking), if the hydronic kit installed has 2 pumps there is a cycling between each pump to ensure an equivalent lifetime.

Digital input functions: low pressure, high pressure, high temperature on compressor supply, phase presence and sequence monitoring device on power supply, differential water pressure control, compressors thermal protection, fans thermal protection, pumps thermal protection (only if installed MP accessory), remote ON/OFF and remote operating mode change E/I (only IP unit), demand limit, double Set-point.

Digital output functions: compressor start-up, pump start-up (only with MP accessory), plate heat exchanger electrical heater, remote general alarm, 4-way valve (only IP unit), additional heating management, available digital contact on compressors running.

Analogic input functions: in and out water temperature, coil temperature probe, external air temperature probe.

Analogic output functions: continuous adjustment of axial fans rotating speed (if installed).

Moreover the controller allows:

- Alarm history (max 50m alarms managed with FIFO logic)
- Time scheduling (daily and weekly)
- Precise control of the water leaving temperature
 - ATC (Advanced Temperature Control) prevention of the block of the unit: In case of critical conditions the machine does not stop but is able to regulate itself and provide the maximum power that can be generated in those conditions with the compressors working inside the admissible limits.
- Demand Limit by Digital Input and/or by Analog Input (4-20mA)
- Double Set Point by Digital Input
- Connection to BMS (supervision systems) through serial port RS 485 and MODBUS protocol

3. User interfacing terminal with display.

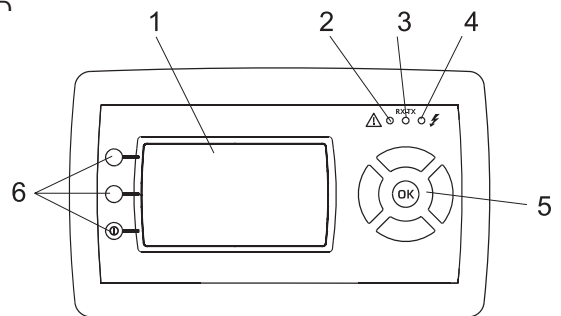
Control panel: composed of the instrument's front panel, equipped with an LCD display, three indicator LEDs, and one joystick buttons and three function buttons it enables viewing and/or checking the operating mode and parameters, resource and complete alarm diagnostics.

In particular, it enables:

- Managing alarm situations
- Checking the status of resources.

KEY

1. Display
2. Alarms LED
3. LED for communication between the motherboard governing the unit and the keypad
4. Power supply LED
5. Joystick Menu Button
6. Function Button



4. Compressors. They are the SCROLL type with orbiting coil equipped with built-in thermal protection and oil heater (accessory for IR, as standard for IP). The version unit AS and AX includes: a soundproofing jacket for the compressors, acoustic cladding for the entire compressor compartment to reduce the noise level and continuous adjustment of axial fans rotating speed. All units are equipped with four compressors connected in parallel (2 cooling circuits) which can operate at the same time (100% cooling power) or individually (75-50-25% of the cooling power), thus adapting to the different thermal loads of the system supplied.

5. Frame structure made of galvanized sheet metal panels coated with polyurethane powder paint to ensure maximum protection against adverse weather conditions.

GENERAL SPECIFICATIONS

6. Evaporator made of brazed stainless steel plates (AISI 316). It is installed in a shell of heat-insulating material to prevent the formation of condensation and heat exchanges towards the outside. Standard supply also includes antifreeze heater a differential pressure switch on the water circuit to avoid the risk of freezing if the water flow is shut off for some reason.

7. Condensing coils, the aluminium finned pack type with shaped profile to increase the heat exchange coefficient and with copper pipes arranged in staggered rows. A sub-cooling section is integrated into the lower part.

8. Covering panels, made of galvanized sheet metal coated with polyurethane powder paint to ensure maximum protection against adverse weather conditions

9. One-way valves (IP unit only), allowing the coolant to pass into the appropriate exchangers, depending on the operating cycle.

10. 4-way cycle reversal valve (IP unit only), reverses the flow direction of the gas as the summer/winter operating mode is changed.

Hydraulic and cooling circuit components

11. Safety valve. Installed on the delivery pipe of the compressors, this operates if extreme faults should occur in the plant.

12. Fluid valve (accessory). Ball type, this allows the gas flow on the fluid line to be turned on and off. Along with the valve on the compressor delivery, it allows the components of the fluid line to be subjected to extraordinary maintenance work and the compressors to be replaced if necessary (without discharging the coolant from the unit): pump down.

13. Compressor delivery valve (accessory). Ball type, allows the gas delivered to the compressors to be turned on and off.

14. Dehydrator filter. Mechanical cartridge type. Retains impurities and traces of moisture in the circuit.

15. Fluid and humidity indicator. Signals when fluid passes through the circuit, indicating that the coolant charge is correct. The fluid indicator light also indicates the amount of moisture in the coolant by changing colour.

16. Low pressure switch. With fixed setting. It is installed on the suction pipe and blocks the compressors if the operating pressures drop below the tolerated values. Automatically resets as the pressure increases. If it activates frequently, the unit will block and can only be restarted by resetting via the user interface terminal.

17. High pressure switch (n°2). With fixed setting. Are installed on the delivery pipe and blocks the compressors if the operating pressures exceed the tolerated values. If it activates, the unit will block and can only be restarted by resetting via the user interface terminal.

18. Electronic expansion valve. This supplies the evaporator correctly, keeping the selected overheating degree at a steady level.

19. Pressure taps: 1/4 " SAE (7/16" UNF) type with flow regulator. Allow the operating pressure of the system to be measured: compressor delivery, lamination component inlet, compressor intake.

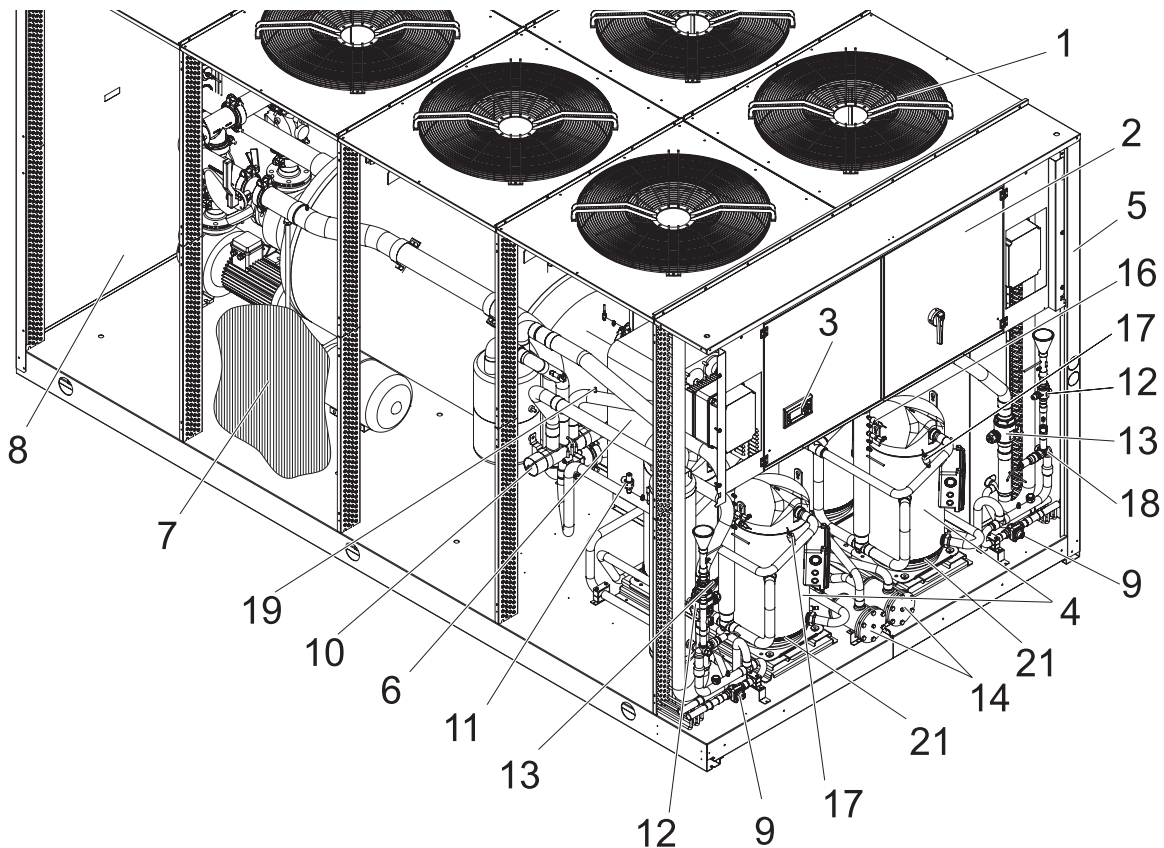
20. Pressure taps: 5/16 " SAE type with flow regulator. Allow the charge/discharge of the gas from the system, precisely from compressor outlet an expansion valve inlet.

21. Electrical heating elements to heat the compressor oil (accessory for IR, as standard for IP). "Belt" type. These activate when the compressor turns off and keep the temperature of the oil sufficiently high so as to prevent coolant from migrating during these pauses.

- **Fluid receiver** (IP unit only), this is a plenum tank that accounts for variations to the coolant charge the machine must supply as the summer/winter operating mode varies.

- **Fluid separator** (IP unit only), on the compressor intake to protect against possible fluid back-flows.

- **Water differential pressure switch.** This is standard supply and is installed on the connections between the water inlet and outlet of the exchanger. It stops the unit if it activates.



GENERAL SPECIFICATIONS

Version with Desuperheater VD (available for both IR units and IP units)

Hydraulic and chilling circuit components:

1. Desuperheater. Specially designed for the specific version. Plate type, made of stainless steel (AISI 316).

It is installed within a shell of thermal barrier insulating material to prevent heat exchanges towards the outside. Standard supply also includes an electric antifreeze heater to prevent the parts from freezing during the winter, when the system remains at a standstill (if not drained).

2. Water safety valve. On the heat recovery inlet pipe. It acts whenever faulty service leads to an operating pressure in the plumbing system that exceeds the valve opening value.

3. Water drain cock for emptying the exchangers and pipes of the machine dedicated to heat recovery.

4. Air vent. Accessed by removing the front panels. It consists of a manually operated valve installed in the highest part of the water pipes. To use in conjunction with the water drain cocks situated in the rear part of the unit, for emptying the exchangers and pipes dedicated to heat recovery.

Total Heat Recovery unit VR (only available for IR units)

Hydraulic and cooling circuit components:

1. Heat recovery exchanger. Specially designed for the specific version. Plate type, made of stainless steel (AISI 316). It is installed within a shell of thermal barrier insulating material to prevent heat dispersion towards the outside. Standard supply also includes an electric antifreeze heater to prevent the parts from freezing during the winter, if it is not drained.

2. Differential water pressure switch. Installed on exchanger. It disables the heat recovery version if activated owing to lack of water flowing through the recovery exchangers.

3. Heat recovery management valve. This delivers refrigerant to the condensing coils or heat recovery exchanger, depending on demands for hot water, and into the appropriate exchangers depending on whether hot water is required or not.

4. Fluid receiver. This is a plenum tank that accounts for the refrigerant charge variations required by the unit as the operating modes change (condensing in air or in water).

5. One-way valves. Make the refrigerant obligatorily pass through the appropriate heat exchangers (coils / heat exchanger), depending on the operating mode.

ACCESSORIES AND OPTIONAL EQUIPMENT

Accessories

Supplied accessories

Rubber vibration dampers	Allow to reduce the transmission to the unit support plane of the mechanical vibrations generated by the compressor and by the fans in their normal operating mode, the degree of isolation is about 85%
Spring vibration dampers	Allow to reduce the transmission to the unit support plane of the mechanical vibrations generated by the compressor and by the fans in their normal operating mode, the degree of isolation is about 90%
Water paddle flow switch	Allows to detect the water flow lack through the plate heat exchanger and operates as an integration of the protection offered by the differential pressure switch (standard).
Tank antifreeze electrical heater	Activated together with the antifreeze electrical heater of the plate heat exchanger, it has the task to keep the still water in the buffer tank at a temperature high enough to avoid ice generation during winter.
Remote control	It is suitable for wall mounting and reports all the control and visualization functions available on the user interface placed on the unit. It therefore allows the complete remote control of the unit.
Programmer clock	It allows the unit to be turned on and off according to a set program, through the digital input available on the unit wiring board (remote stand by).
Phase sequence and voltage controller	It checks not only the presence and correct order of the power supply phases but also the voltage level on each phase and avoid the unit to operate with voltage levels outside the permitted limits.

Factory mounted accessories

Victaulic connections	This accessory consists of steel pipes that allows the water inlet/outlet to be connected straight inside the unit.
Coil protection grilles	Protects the external surface of the finned coil.
High and low pressure gauges	2 pressure gauges allow visualization of high and low refrigerant gas pressure.
Coil shut off valves	It consists of two ball valves installed before and after the coil that allow for the pump-down maintenance.
Low temperature kit	(di serie per unità IP e BP, optional per unità IR e BR) sono costituite da resistenze carter di riscaldamento olio compressori.
Tank antifreeze electrical heater	Activated together with the antifreeze electrical heater of the plate heat exchanger, it has the task to keep the still water in the buffer tank at a temperature high enough to avoid ice generation during winter.
Modbus serial interface on RS485	It allows to communicate with the unit controller and to view the operating conditions of the unit through Modbus communication protocol. The RS485 serial line ensures the signal quality up to distances of about 1200 meters (that can be extended by means of proper repeaters).
Phase sequence and voltage controller	It checks not only the presence and correct order of the power supply phases but also the voltage level on each phase and avoid the unit to operate with voltage levels outside the permitted limits.
Pressure transducer	It consists of a transducer, which allows operation of the control condensation, evaporation and defrost by reading the pressure.

Mechanical options

For finned coils with special treatment (copper fins, tin-copper plated, acrylic, epoxy or hydrophilic painting) please contact our technical department.

Electrical options

For other voltages, please contact our technical department

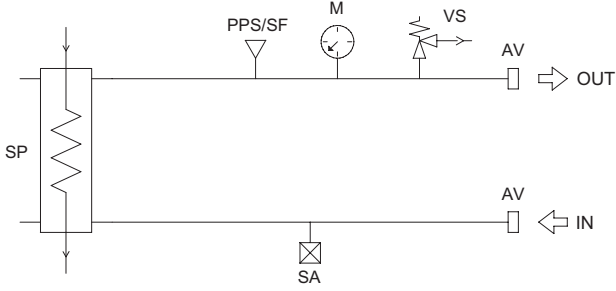
ACCESSORIES AND OPTIONAL EQUIPMENT

"Storing and hydronic kit" options

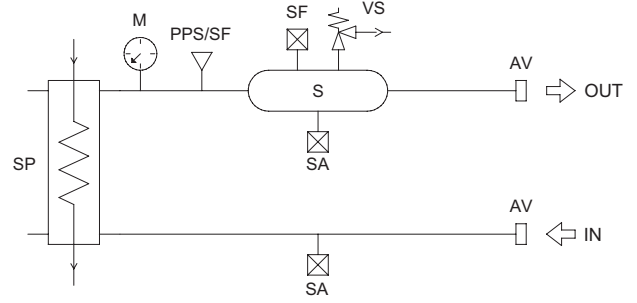
Storing and hydronic kit	MKT SS Pipe kit without tank	This accessory consists of steel pipes insulated with thermal barrier material and allows the water inlet/outlet connection to be routed outside the unit.
	M1P SS 2P STD 1 Standard pump	Allows the circulation of the water on the plant side.
	M1P SS 2P HP1 1 High head pump	Allows the circulation of the water on the plant side and guarantees a higher available static head, suitable for high pressure drop plants.
	M2P SS 2P STD 2 Standard pumps	Allows the circulation of the water on the plant side and includes a second pump installed as a backup to the first.
	M2P SS 2P HP1 2 High head pumps	Allows the circulation of the water on the plant side, ensuring a higher available static head, suitable for high pressure drop plants, and includes a second pump installed as a backup to the first.
	MKT AM Pipe kit with tank	This accessory consists of steel pipes insulated with thermal barrier material and allows the water inlet/outlet connection to be routed outside the unit. The thermal inertia of the buffer tank allows to reduce the number of compressor starts and to guarantee a more stable flow temperature.
	M1P AM 2P STD Tank and 1 standard pump	Allows the circulation of the water on the plant side. The thermal inertia of the buffer tank allows to reduce the number of compressor starts and to guarantee a more stable flow temperature.
	M1P AM 2P HP1 Tank and 1 high head pump	Allows the circulation of the water on the plant side and guarantees a higher available static head, suitable for high pressure drop plants. The thermal inertia of the buffer tank allows to reduce the number of compressor starts and to guarantee a more stable flow temperature.
	M2P AM 2P STD Tank and 2 standard pumps	Allows the circulation of the water on the plant side and includes a second pump installed as a backup to the first. The thermal inertia of the buffer tank allows to reduce the number of compressor starts and to guarantee a more stable flow temperature.
	M2P AM 2P HP1 Tank and 2 high head pumps	Allows the circulation of the water on the plant side, ensuring a higher available static head, suitable for high pressure drop plants, and includes a second pump installed as a backup to the first. The thermal inertia of the buffer tank allows to reduce the number of compressor starts and to guarantee a more stable flow temperature.
	M1P PS 2P STD Tank and 1 standard pump (primary and secondary configuration)	Allows the circulation of the water on the primary between the tank and the heat exchanger. The thermal inertia of the buffer tank allows to reduce the number of compressor starts and to guarantee a more stable flow temperature.
	M2P PS 2P STD Tank and 2 standard pumps (primary and secondary configuration)	Allows the circulation of the water on the primary between the tank and the heat exchanger and includes a second pump installed as a backup to the first. The thermal inertia of the buffer tank allows to reduce the number of compressor starts and to guarantee a more stable flow temperature.

ACCESSORIES AND OPTIONAL EQUIPMENT

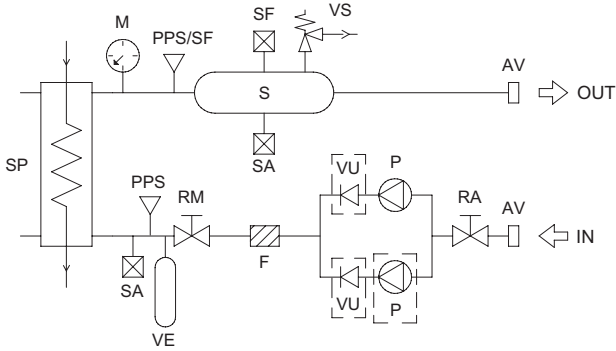
Pipe kit without tank



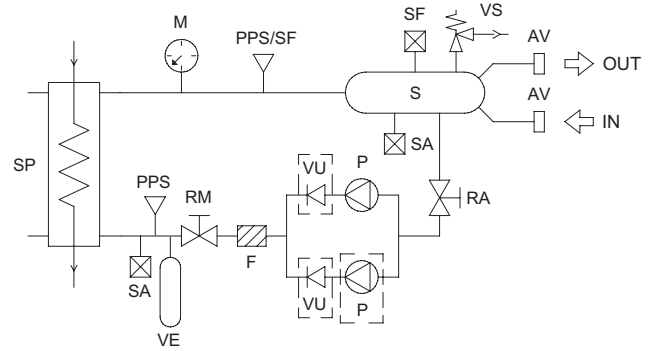
Pipe kit with tank



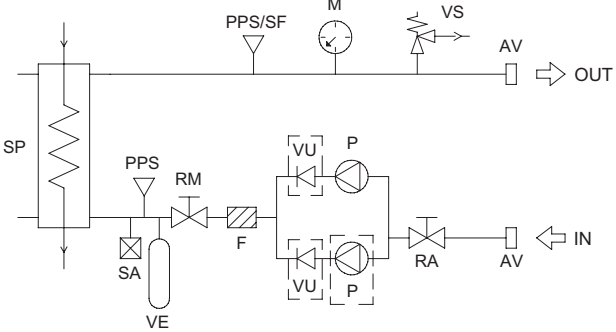
Tank and standard pump



Tank and standard pump (primary and secondary configuration)



Standard pump



ITEM	DESCRIPTION
AV	VICTAULIC CONNECTIONS
F	FILTER
M	GAUGE
P	PUMP
PPS/SF	PRESSURE SOCKET 1/4" SAE WITH CORE TO BE USED AS AIR PURGE
RA	SUCTION BALL VALVE
RM	DISCHARGE BALL VALVE
S	TANK
SA	DRAIN WATER VALVE
SF	AIR VENT VALVE
SP	HEAT EXCHANGER
VE	EXPANSION VESSEL
VS	SAFETY VALVE
VU	CHECK VALVE

--- only in case of 2 pumps

ACCESSORIES AND OPTIONAL EQUIPMENT

Options

Soft starter		Reduces the compressor start current of about 40%.
Compressor power factor correction		Allows to reduce the phase shift between the absorbed current and the power supply voltage keeping it above the value of 0,91.
Fans control	On-off	(standard for AB unit) the condensation pressure (in cooling) and the evaporation pressure (in heating) is regulated by on-off cycles.
	Modulating control (condensation / evaporation control)	(standard for AS and AX unit, optional for AB unit) The fans rotational speed can be modulated continuously by an adjusting fan speed device to control the condensation pressure (in cooling) and the evaporation pressure (in heating) in order to extend the oOperating limits of the unit, to reduce noise emissions and improve energy efficiency.
	Modulating control (condensation / evaporation control) with EC fans	(optional for AB, AS and AX unit) The fans rotational speed can be modulated continuously by EC fans (Electronic Commutation) to control the condensation pressure (in cooling) and the evaporation pressure (in heating) in order to extend the oOperating limits of the unit, to reduce noise emissions and maximize energy efficiency.
Electrical protecion load	Fuses	Allows to protect the electrical loads with fuses.
	Thermal magnetic	Allows to protect the electrical loads with thermal magnetic circuit breakers simplifying the maintenance and reload operations.
Drain pan kit		Provides a pan under the coil to drain the condensing water, fitted with 1/2" outlet connection positioned opposite to the electric control panel.
High temperature thermostat		Two thermostats in series on compressors outlet pipes preserve operation not allowing temperature to rise up than a specified non adjustable value.

TECHNICAL DATA AND PERFORMANCE - BASE VERSION (VB)

General technical specifications

Model	160.4	180.4	200.4	230.4	260.4	290.4	330.4	375.4	420.4	U.M.	
Power supply	400 - 3 - 50	400 - 3 - 50	400 - 3 - 50	400 - 3 - 50	400 - 3 - 50	400 - 3 - 50	400 - 3 - 50	400 - 3 - 50	400 - 3 - 50	V-ph-Hz	
Refrigerant											
Type	R410A	R410A	R410A	R410A	R410A	R410A	R410A	R410A	R410A	-	
Refrigerant circuits											
Quantity	2	2	2	2	2	2	2	2	2	n°	
Compressor											
Type	scroll	scroll	scroll	scroll	scroll	scroll	scroll	scroll	scroll	-	
Quantity	4	4	4	4	4	4	4	4	4	n°	
Power steps	0-25-50-75-100	0-25-50-75-100	0-25-50-75-100	0-25-50-75-100	0-25-50-75-100	0-25-50-75-100	0-25-50-75-100	0-25-50-75-100	0-25-50-75-100	%	
Oil charge	CP1	3,25	3,25	5,3	5,3	5,3	5,3	5,3	5,3	5,3	l
Oil charge	CP2	3,25	4,7	5,3	5,3	5,3	5,3	5,3	5,3	5,3	l
Oil charge	CP3	3,25	3,25	5,3	5,3	5,3	5,3	5,3	5,3	5,3	l
Oil charge	CP4	3,25	4,7	5,3	5,3	5,3	5,3	5,3	5,3	5,3	l
Oil charge - C	CP1	3,25	3,25	4,7	4,7	6,8	6,8	6,3	6,3	6,3	l
Oil charge - C	CP2	3,25	4,7	4,7	6,8	6,8	6,3	6,3	6,3	6,3	l
Oil charge - C	CP3	3,25	3,25	4,7	4,7	6,8	6,8	6,3	6,3	6,3	l
Oil charge - C	CP4	3,25	4,7	4,7	6,8	6,8	6,3	6,3	6,3	6,3	l
Plant side heat exchanger											
Type	stainless steel brazed plates	stainless steel brazed plates	stainless steel brazed plates	stainless steel brazed plates	stainless steel brazed plates	stainless steel brazed plates	stainless steel brazed plates	stainless steel brazed plates	stainless steel brazed plates	stainless steel brazed plates	-
Quantity	1	1	1	1	1	1	1	1	1	1	n°
Water volume	7,3	8,3	9,5	10,8	12,0	14,2	23,0	25,7	29,3	29,3	l
Source side heat exchanger											
Type	batteria alettata	batteria alettata	batteria alettata	batteria alettata	batteria alettata	batteria alettata	batteria alettata	batteria alettata	batteria alettata	batteria alettata	-
Quantity	2	2	2	2	2	2	2	2	2	2	n°
Frontal surface	5,54	5,54	5,54	5,54	5,54	5,54	7,41	7,41	7,41	7,41	m²
Fans											
Type	axial	axial	axial	axial	axial	axial	axial	axial	axial	axial	-
Quantity	4	4	4	4	6	6	6	8	8	8	n°
Diameter	800	800	800	800	800	800	800	800	800	800	mm
Maximum rotational speed	900	900	900	900	900	900	900	900	900	900	rpm
Plant side hydraulic circuit											
Expansion vessel volume	24	24	24	24	24	24	24	24	24	24	l
Tank volume	325	325	325	325	325	325	710	710	710	710	l
Safety valve set	600	600	600	600	600	600	600	600	600	600	kPa
Primary / secondary pump (option)											
Type	centrifugal pump	centrifugal pump	centrifugal pump	centrifugal pump	centrifugal pump	centrifugal pump	centrifugal pump	centrifugal pump	centrifugal pump	centrifugal pump	-
Nominal power	3	3	3	3	3	5,5	5,5	5,5	5,5	5,5	kW
Standard pump (option)											
Type	centrifugal pump	centrifugal pump	centrifugal pump	centrifugal pump	centrifugal pump	centrifugal pump	centrifugal pump	centrifugal pump	centrifugal pump	centrifugal pump	-
Nominal power	3	3	4	4	4	5,5	5,5	5,5	5,5	7,5	kW
HP1 High head pump (option)											
Type	centrifugal pump	centrifugal pump	centrifugal pump	centrifugal pump	centrifugal pump	centrifugal pump	centrifugal pump	centrifugal pump	centrifugal pump	centrifugal pump	-
Nominal power	4	4	5,5	5,5	5,5	7,5	7,5	7,5	7,5	11	kW
Electrical data units without pumping module											
FLA TOTALE	140	151	177	193	217	243	269	314	335	335	A
FLI TOTALE	76	87	107	118	133	148	163	186	200	200	kW
MIC TOTALE	283	340	347	355	379	469	495	510	558	558	A
MIC TOTALE con soft starter	213	250	263	271	295	354	380	404	438	438	A
Electrical data units with pumping module MP AM HP1 and MP SS HP1 (1 or 2 pumps)											
FLA TOTALE	149	160	187	203	227	256	282	327	357	357	A
FLI TOTALE	81	91	113	124	139	156	171	194	212	212	kW
MIC TOTALE	292	348	357	365	389	482	508	524	580	580	A
MIC TOTALE con soft starter	222	258	273	281	305	368	394	417	460	460	A

TECHNICAL DATA AND PERFORMANCE - BASE VERSION (VB)

NET NOMINAL performances - Standard unit (AB) - Standard plants - EUROVENT certified data

	Model	160.4	180.4	200.4	230.4	260.4	290.4	330.4	375.4	420.4	U.M.
IR	Cooling A35W7 (source : air in 35°C d.b. / plant : water in 12°C out 7°C)										
	Cooling capacity	161	178	199	228	255	289	323	368	409	kW
	Power input	56,2	62,7	70,9	80,4	90,7	103	115	130	146	kW
	EER	2,86	2,84	2,81	2,84	2,81	2,81	2,81	2,83	2,80	W/W
	ESSER	3,84	3,81	3,79	3,82	3,79	3,80	3,79	3,80	3,79	W/W
	Water flow rate plant side	7,74	8,55	9,60	11,0	12,3	14,0	15,6	17,7	19,7	l/s
	Pressure drops plant side	51	51	58	57	60	64	54	58	58	kPa
IP	Cooling A35W7 (source : air in 35°C d.b. / plant : water in 12°C out 7°C)										
	Cooling capacity	154	171	192	215	244	275	310	357	397	kW
	Power input	55,4	61,8	69,6	78,5	89,9	102	113	129	144	kW
	EER	2,78	2,77	2,76	2,74	2,71	2,70	2,74	2,77	2,76	W/W
	ESSER	3,72	3,70	3,72	3,68	3,65	3,65	3,66	3,72	3,73	W/W
	Water flow rate plant side	7,41	8,22	9,27	10,4	11,8	13,3	14,9	17,2	19,2	l/s
	Pressure drops plant side	47	47	54	51	56	57	49	54	55	kPa
	Heating A7W45 (source : air in 7°C d.b. 6°C w.b. / plant : water in 40°C out 45°C)										
	Heating capacity	169	191	215	240	273	308	345	395	439	kW
	Power input	56,8	64,0	72,3	81,2	92,7	104	116	132	147	kW
	COP	2,98	2,98	2,97	2,96	2,94	2,96	2,97	2,99	2,99	W/W
	Water flow rate plant side	8,03	9,03	10,2	11,4	12,9	14,6	16,3	18,7	20,8	l/s
	Pressure drops plant side	55	57	65	62	66	69	59	64	65	kPa

Data declared according to **EN 14511**. The values are referred to units without options and accessories.

NET NOMINAL performances - Standard unit (AB) - Standard plants

	Model	160.4	180.4	200.4	230.4	260.4	290.4	330.4	375.4	420.4	U.M.
IP	Heating A2W45 (source : air in 2°C d.b. 1°C w.b. / plant : water in 40°C out 45°C)										
	Heating capacity	136	153	172	193	219	247	277	316	352	kW
	Power input	55,8	62,8	70,9	79,8	91,0	103	114	130	145	kW
	COP	2,44	2,44	2,43	2,42	2,41	2,40	2,43	2,43	2,43	W/W
	Water flow rate plant side	7,30	8,22	9,26	10,3	11,7	13,3	14,9	17,0	18,9	l/s
	Pressure drops plant side	45	47	53	50	55	57	49	53	54	kPa

Data declared according to **EN 14511**. The values are referred to units without options and accessories.

GROSS NOMINAL performances - Standard unit (AB) - Standard plants

	Model	160.4	180.4	200.4	230.4	260.4	290.4	330.4	375.4	420.4	U.M.
IR	Cooling A35W7 (source : air in 35°C d.b. / plant : water in 12°C out 7°C)										
	Cooling capacity	162	179	201	230	257	292	326	371	413	kW
	EER	2,95	2,92	2,91	2,94	2,91	2,92	2,91	2,92	2,91	-
	Pressure drops plant side	55	54	62	65	67	71	59	61	62	kPa
	ESEER	4,13	4,09	4,07	4,11	4,08	4,09	4,08	4,09	4,07	-
IP	Cooling A35W7 (source : air in 35°C d.b. / plant : water in 12°C out 7°C)										
	Cooling capacity	155	172	194	217	246	278	312	360	401	kW
	EER	2,86	2,84	2,86	2,83	2,81	2,80	2,81	2,86	2,86	-
	Pressure drops plant side	50	50	58	58	62	64	54	58	59	kPa
	ESEER	4,00	3,98	4,00	3,96	3,93	3,92	3,94	4,00	4,01	-
	Heating A7W45 (air 7 °C bs - 6 °C bu / water 40 - 45 °C)										
	Heating capacity	168	189	213	238	270	305	342	391	435	kW
	COP	3,04	3,03	3,04	3,02	3,01	3,02	3,03	3,05	3,04	-
Pressure drops plant side	59	60	70	69	74	77	65	68	69	kPa	

The values are referred to units without options and accessories.

EER (Energy Efficiency Ratio) = ratio of the total cooling capacity to the effective power input of the unit

ESEER (European Seasonal Energy Efficiency Ratio)

COP (Coefficient Of Performance) = ratio of the total heating capacity to the effective power input of the unit

HRE (Heat Recovery Efficiency) = ratio of the total capacity of the system (heating plus cooling capacity) to the effective power input

TECHNICAL DATA AND PERFORMANCE - BASE VERSION (VB)

NET NOMINAL performances - Standard unit (AB) - Radiant plants

Model	160.4	180.4	200.4	230.4	260.4	290.4	330.4	375.4	420.4	U.M.	
IR	Cooling A35W18 (source : air in 35°C d.b. / plant : water in 23°C out 18°C)										
	Cooling capacity	204	226	253	289	323	367	411	467	520	kW
	Power input	60,7	67,6	77,0	87,6	98,6	113	124	141	159	kW
	EER	3,36	3,34	3,29	3,30	3,28	3,25	3,31	3,31	3,27	-
	Water flow rate plant side	9,91	10,9	12,3	14,1	15,7	17,9	19,9	22,7	25,3	l/s
	Pressure drops plant side	83	83	94	94	99	103	88	94	97	kPa
IP	Cooling A35W18 (source : air in 35°C d.b. / plant : water in 23°C out 18°C)										
	Cooling capacity	196	217	245	274	310	350	394	454	505	kW
	Power input	59,6	66,5	75,3	85,1	97,3	110	122	139	155	kW
	EER	3,29	3,26	3,25	3,22	3,19	3,18	3,23	3,27	3,26	-
	Water flow rate plant side	9,48	10,5	11,9	13,3	15,0	17,0	19,1	22,0	24,5	l/s
	Pressure drops plant side	76	77	88	83	90	93	81	89	91	kPa
	Heating A7W35 (source : air in 7°C d.b. 6°C w.b. / plant : water in 30°C out 35°C)										
	Heating capacity	180	202	229	255	290	328	367	420	467	kW
	Power input	50,0	56,2	63,5	71,3	81,8	92,0	102	116	130	kW
	COP	3,60	3,59	3,61	3,58	3,55	3,57	3,60	3,62	3,59	-
	Water flow rate plant side	8,51	9,57	10,8	12,1	13,7	15,4	17,3	19,8	22,0	l/s
	Pressure drops plant side	61	64	73	69	75	77	67	72	73	kPa
	Heating A2W35 (source : air in 2°C d.b. 1°C w.b. / plant : water in 30°C out 35°C)										
	Potenza termica	141	159	179	200	228	257	288	329	366	kW
	Potenza assorbita	47,1	53,0	59,7	67,0	76,9	86,5	95,7	110	122	kW
	COP	2,99	3,00	3,00	2,99	2,96	2,97	3,01	2,99	3,00	-
	Portata acqua lato impianto	7,60	8,55	9,63	10,8	12,2	13,8	15,5	17,7	19,7	l/s
	Perdite di carico lato impianto	49	51	58	55	60	62	53	57	59	kPa

Data declared according to **EN 14511**. The values are referred to units without options and accessories.

EER (Energy Efficiency Ratio) = ratio of the total cooling capacity to the effective power input of the unit

ESEER (European Seasonal Energy Efficiency Ratio)

COP (Coefficient Of Performance) = ratio of the total heating capacity to the effective power input of the unit

HRE (Heat Recovery Efficiency) = ratio of the total capacity of the system (heating plus cooling capacity) to the effective power input

TECHNICAL DATA AND PERFORMANCE - BASE VERSION (VB)

NET NOMINAL performances - Low noise unit (AS) - Standard plants - EUROVENT certified data

	Model	160.4	180.4	200.4	230.4	260.4	290.4	330.4	375.4	420.4	U.M.
IR	Cooling A35W7 (source : air in 35°C d.b. / plant : water in 12°C out 7°C)										
	Cooling capacity	155	171	191	219	245	277	311	353	393	kW
	Power input	59,2	66,1	75,0	85,2	95,5	109	121	137	154	kW
	EER	2,62	2,59	2,55	2,57	2,57	2,54	2,57	2,58	2,55	W/W
	ESSER	3,85	3,80	3,77	3,80	3,79	3,76	3,78	3,80	3,76	W/W
	Water flow rate plant side	7,45	8,22	9,22	10,6	11,8	13,4	15,0	17,0	18,9	l/s
	Pressure drops plant side	47	47	53	53	56	58	50	53	54	kPa
IP	Cooling A35W7 (source : air in 35°C d.b. / plant : water in 12°C out 7°C)										
	Cooling capacity	148	164	185	206	234	265	298	343	382	kW
	Power input	58,3	65,2	73,6	86,4	94,7	107	123	136	152	kW
	EER	2,54	2,52	2,51	2,38	2,47	2,48	2,42	2,52	2,51	W/W
	ESSER	3,72	3,69	3,69	3,51	3,64	3,63	3,55	3,73	3,70	W/W
	Water flow rate plant side	7,12	7,88	8,89	9,94	11,3	12,8	14,3	16,5	18,4	l/s
	Pressure drops plant side	43	44	49	47	51	53	45	50	51	kPa
	Heating A7W45 (source : air in 7°C d.b. 6°C w.b. / plant : water in 40°C out 45°C)										
	Heating capacity	162	183	206	230	262	296	331	379	422	kW
	Power input	53,5	60,3	68,2	76,6	87,3	99	110	125	140	kW
	COP	3,03	3,03	3,02	3,00	3,00	2,99	3,01	3,03	3,01	W/W
	Water flow rate plant side	7,69	8,65	9,75	10,9	12,4	14,0	15,7	17,9	20,0	l/s
	Pressure drops plant side	50	52	59	56	61	64	54	59	60	kPa

Data declared according to **EN 14511**. The values are referred to units without options and accessories.

NET NOMINAL performances - Low noise unit (AS) - Standard plants

	Model	160.4	180.4	200.4	230.4	260.4	290.4	330.4	375.4	420.4	U.M.
IP	Heating A2W45 (source : air in 2°C d.b. 1°C w.b. / plant : water in 40°C out 45°C)										
	Heating capacity	130	146	165	184	210	237	265	303	338	kW
	Power input	53,3	59,9	67,7	76,0	86,9	97,9	109	124	139	kW
	COP	2,44	2,44	2,44	2,42	2,42	2,42	2,43	2,44	2,43	W/W
	Water flow rate plant side	7,00	7,87	8,87	9,91	11,3	12,7	14,3	16,3	18,2	l/s
	Pressure drops plant side	41	43	49	46	51	52	45	49	50	kPa

Data declared according to **EN 14511**. The values are referred to units without options and accessories.

GROSS NOMINAL performances - Low noise unit (AS) - Standard plants

	Model	160.4	180.4	200.4	230.4	260.4	290.4	330.4	375.4	420.4	U.M.
IR	Cooling A35W7 (source : air in 35°C d.b. / plant : water in 12°C out 7°C)										
	Cooling capacity	156	172	193	221	247	280	313	356	396	kW
	EER	2,66	2,63	2,60	2,63	2,62	2,59	2,61	2,64	2,61	-
	Pressure drops plant side	51	50	57	60	62	65	55	57	57	kPa
	ESEER	3,72	3,68	3,65	3,68	3,66	3,63	3,65	3,69	3,65	-
IP	Cooling A35W7 (source : air in 35°C d.b. / plant : water in 12°C out 7°C)										
	Cooling capacity	149	165	186	208	236	267	300	346	385	kW
	EER	2,57	2,55	2,55	2,53	2,51	2,52	2,52	2,58	2,58	-
	Pressure drops plant side	46	46	53	53	57	59	50	53	54	kPa
	ESEER	3,60	3,56	3,58	3,54	3,52	3,53	3,53	3,61	3,62	-
	Heating A7W45 (air 7 °C bs - 6 °C bu / water 40 - 45 °C)										
	Heating capacity	161	181	204	228	259	293	328	375	418	kW
	COP	3,04	3,04	3,04	3,03	3,02	3,03	3,04	3,07	3,05	-
Pressure drops plant side	54	55	64	63	69	71	60	63	64	kPa	

The values are referred to units without options and accessories.

EER (Energy Efficiency Ratio) = ratio of the total cooling capacity to the effective power input of the unit

ESEER (European Seasonal Energy Efficiency Ratio)

COP (Coefficient Of Performance) = ratio of the total heating capacity to the effective power input of the unit

HRE (Heat Recovery Efficiency) = ratio of the total capacity of the system (heating plus cooling capacity) to the effective power input

TECHNICAL DATA AND PERFORMANCE - BASE VERSION (VB)

NET NOMINAL performances - Low noise unit (AS) - Radiant plants

Model		160.4	180.4	200.4	230.4	260.4	290.4	330.4	375.4	420.4	U.M.
IR	Cooling A35W18 (source : air in 35°C d.b. / plant : water in 23°C out 18°C)										
	Cooling capacity	197	217	243	278	311	352	395	449	499	kW
	Power input	64,4	71,8	81,8	93,0	105	120	132	149	168	kW
	EER	3,06	3,02	2,97	2,99	2,96	2,93	2,99	3,01	2,97	-
	Water flow rate plant side	9,54	10,5	11,8	13,5	15,1	17,1	19,1	21,8	24,2	l/s
	Pressure drops plant side	77	77	87	86	92	94	81	87	89	kPa
IP	Cooling A35W18 (source : air in 35°C d.b. / plant : water in 23°C out 18°C)										
	Cooling capacity	188	209	235	263	298	337	379	437	486	kW
	Power input	63,3	70,8	80,1	90,5	103	117	130	148	164	kW
	EER	2,97	2,95	2,93	2,91	2,89	2,88	2,92	2,95	2,96	-
	Water flow rate plant side	9,11	10,1	11,4	12,7	14,4	16,3	18,3	21,2	23,5	l/s
	Pressure drops plant side	70	71	81	76	83	86	74	82	83	kPa
	Heating A7W35 (source : air in 7°C d.b. 6°C w.b. / plant : water in 30°C out 35°C)										
	Heating capacity	172	194	219	244	278	314	351	402	448	kW
	Power input	47,7	53,5	60,5	67,8	78,0	87,7	97,0	111	124	kW
	COP	3,61	3,63	3,62	3,60	3,56	3,58	3,62	3,62	3,61	-
	Water flow rate plant side	8,15	9,17	10,3	11,5	13,1	14,8	16,6	19,0	21,2	l/s
	Pressure drops plant side	56	58	66	62	69	71	61	66	68	kPa
	Heating A2W35 (source : air in 2°C d.b. 1°C w.b. / plant : water in 30°C out 35°C)										
	Heating capacity	135	152	172	192	218	247	276	316	352	kW
	Power input	45,1	50,5	57,0	63,8	73,5	82,5	91,3	104	117	kW
	COP	2,99	3,01	3,02	3,01	2,97	2,99	3,02	3,04	3,01	-
	Water flow rate plant side	7,28	8,18	9,22	10,3	11,7	13,2	14,8	17,0	18,9	l/s
	Pressure drops plant side	45	47	53	50	55	56	49	53	54	kPa

Data declared according to **EN 14511**. The values are referred to units without options and accessories.

EER (Energy Efficiency Ratio) = ratio of the total cooling capacity to the effective power input of the unit
ESEER (European Seasonal Energy Efficiency Ratio)
COP (Coefficient Of Performance) = ratio of the total heating capacity to the effective power input of the unit
HRE (Heat Recovery Efficiency) = ratio of the total capacity of the system (heating plus cooling capacity) to the effective power input

TECHNICAL DATA AND PERFORMANCE - BASE VERSION (VB)

NET NOMINAL performances - Extra low noise unit (AX) - Standard plants - EUROVENT certified data

Model	160.4	180.4	200.4	230.4	260.4	290.4	330.4	375.4	420.4	U.M.	
IR	Cooling A35W7 (source : air in 35°C d.b. / plant : water in 12°C out 7°C)										
	Cooling capacity	151	167	187	214	240	272	304	346	385	kW
	Power input	59,8	66,9	76,0	86,4	96,6	111	123	138	157	kW
	EER	2,53	2,50	2,46	2,48	2,48	2,45	2,47	2,51	2,45	W/W
	ESSER	3,90	3,85	3,82	3,84	3,86	3,82	3,82	3,88	3,81	W/W
	Water flow rate plant side	7,26	8,03	9,03	10,3	11,6	13,1	14,6	16,7	18,5	l/s
Pressure drops plant side	45	45	51	50	54	56	47	51	51	kPa	
IP	Cooling A35W7 (source : air in 35°C d.b. / plant : water in 12°C out 7°C)										
	Cooling capacity	145	161	181	203	229	259	291	335	374	kW
	Power input	59,0	66,1	74,6	84,4	95,8	109	122	137	153	kW
	EER	2,46	2,44	2,43	2,41	2,39	2,38	2,39	2,45	2,44	W/W
	ESSER	3,79	3,75	3,75	3,71	3,70	3,69	3,69	3,79	3,77	W/W
	Water flow rate plant side	6,98	7,74	8,70	9,75	11,0	12,5	14,0	16,1	18,0	l/s
	Pressure drops plant side	42	42	47	45	48	51	43	48	49	kPa
	Heating A7W45 (source : air in 7°C d.b. 6°C w.b. / plant : water in 40°C out 45°C)										
	Heating capacity	161	181	204	228	259	293	328	374	417	kW
	Power input	51,8	58,5	66,2	74,5	84,6	95,6	106	121	135	kW
	COP	3,11	3,09	3,08	3,06	3,06	3,06	3,09	3,09	3,09	W/W
	Water flow rate plant side	7,64	8,60	9,65	10,8	12,3	13,9	15,5	17,7	19,7	l/s
Pressure drops plant side	50	52	58	55	60	63	53	58	58	kPa	

Data declared according to **EN 14511**. The values are referred to units without options and accessories.

NET NOMINAL performances - Extra low noise unit (AX) - Standard plants

Model	160.4	180.4	200.4	230.4	260.4	290.4	330.4	375.4	420.4	U.M.	
IP	Heating A2W45 (source : air in 2°C d.b. 1°C w.b. / plant : water in 40°C out 45°C)										
	Heating capacity	129	145	163	183	208	235	263	300	334	kW
	Power input	52,3	58,8	66,3	74,6	85,3	96,1	107	122	136	kW
	COP	2,47	2,47	2,46	2,45	2,44	2,45	2,46	2,46	2,46	W/W
	Water flow rate plant side	6,96	7,83	8,78	9,83	11,2	12,6	14,1	16,1	18,0	l/s
	Pressure drops plant side	41	43	48	46	50	51	44	48	49	kPa

Data declared according to **EN 14511**. The values are referred to units without options and accessories.

GROSS NOMINAL performances - Extra low noise unit (AX) - Standard plants

Model	160.4	180.4	200.4	230.4	260.4	290.4	330.4	375.4	420.4	U.M.	
IR	Cooling A35W7 (source : air in 35°C d.b. / plant : water in 12°C out 7°C)										
	Cooling capacity	152	168	189	216	242	274	306	349	388	kW
	EER	2,53	2,50	2,49	2,51	2,50	2,49	2,49	2,53	2,49	-
	Pressure drops plant side	48	47	55	57	60	62	52	55	55	kPa
IP	ESEER										
		3,54	3,51	3,49	3,51	3,50	3,49	3,48	3,54	3,48	-
	Cooling A35W7 (source : air in 35°C d.b. / plant : water in 12°C out 7°C)										
	Cooling capacity	146	162	182	204	231	261	293	338	377	kW
	EER	2,46	2,44	2,44	2,42	2,40	2,39	2,40	2,47	2,46	-
	Pressure drops plant side	44	44	51	51	54	57	48	51	52	kPa
ESEER											
	3,44	3,42	3,42	3,39	3,36	3,35	3,36	3,45	3,45	-	
Heating A7W45 (air 7 °C bs - 6 °C bu / water 40 - 45 °C)											
Heating capacity	160	180	202	226	257	290	325	371	413	kW	
COP	3,08	3,08	3,07	3,06	3,05	3,06	3,07	3,09	3,08	-	
Pressure drops plant side	53	54	63	62	67	70	59	61	62	kPa	

The values are referred to units without options and accessories.

EER (Energy Efficiency Ratio) = ratio of the total cooling capacity to the effective power input of the unit

ESEER (European Seasonal Energy Efficiency Ratio)

COP (Coefficient Of Performance) = ratio of the total heating capacity to the effective power input of the unit

HRE (Heat Recovery Efficiency) = ratio of the total capacity of the system (heating plus cooling capacity) to the effective power input

TECHNICAL DATA AND PERFORMANCE - BASE VERSION (VB)

NET NOMINAL performances - Extra low noise unit (AX) - Radiant plants

Model	160.4	180.4	200.4	230.4	260.4	290.4	330.4	375.4	420.4	U.M.	
IR	Cooling A35W18 (source : air in 35°C d.b. / plant : water in 23°C out 18°C)										
	Cooling capacity	192	212	238	272	305	345	386	440	490	kW
	Power input	65,7	73,4	83,5	94,9	107	122	135	152	172	kW
	EER	2,92	2,89	2,85	2,87	2,85	2,83	2,86	2,89	2,85	-
	Water flow rate plant side	9,30	10,3	11,6	13,2	14,8	16,8	18,7	21,3	23,7	l/s
	Pressure drops plant side	73	74	84	82	88	91	78	83	85	kPa
IP	Cooling A35W18 (source : air in 35°C d.b. / plant : water in 23°C out 18°C)										
	Cooling capacity	185	205	230	258	292	329	370	427	476	kW
	Power input	64,7	72,3	81,7	92,4	105	120	133	151	168	kW
	EER	2,86	2,84	2,82	2,79	2,78	2,74	2,78	2,83	2,83	-
	Water flow rate plant side	8,93	9,91	11,1	12,5	14,1	16,0	17,9	20,7	23,1	l/s
	Pressure drops plant side	68	68	77	74	80	83	71	79	81	kPa
	Heating A7W35 (source : air in 7°C d.b. 6°C w.b. / plant : water in 30°C out 35°C)										
	Heating capacity	171	193	217	242	276	311	348	398	443	kW
	Power input	46,8	52,6	59,3	66,5	76,5	86,1	95,1	109	121	kW
	COP	3,65	3,67	3,66	3,64	3,61	3,61	3,66	3,65	3,66	-
	Water flow rate plant side	8,10	9,12	10,2	11,4	13,0	14,7	16,5	18,8	20,9	l/s
	Pressure drops plant side	56	58	65	61	68	70	61	65	66	kPa
	Heating A2W35 (source : air in 2°C d.b. 1°C w.b. / plant : water in 30°C out 35°C)										
	Heating capacity	134	151	170	190	216	244	273	312	347	kW
	Power input	44,2	49,6	55,9	62,6	72,1	81,0	89,6	103	114	kW
COP	3,03	3,04	3,04	3,04	3,00	3,01	3,05	3,03	3,04	-	
Water flow rate plant side	7,23	8,14	9,13	10,2	11,6	13,1	14,7	16,8	18,7	l/s	
Pressure drops plant side	44	46	52	49	54	55	48	52	53	kPa	

Data declared according to **EN 14511**. The values are referred to units without options and accessories.

EER (Energy Efficiency Ratio) = ratio of the total cooling capacity to the effective power input of the unit

ESEER (European Seasonal Energy Efficiency Ratio)

COP (Coefficient Of Performance) = ratio of the total heating capacity to the effective power input of the unit

HRE (Heat Recovery Efficiency) = ratio of the total capacity of the system (heating plus cooling capacity) to the effective power input

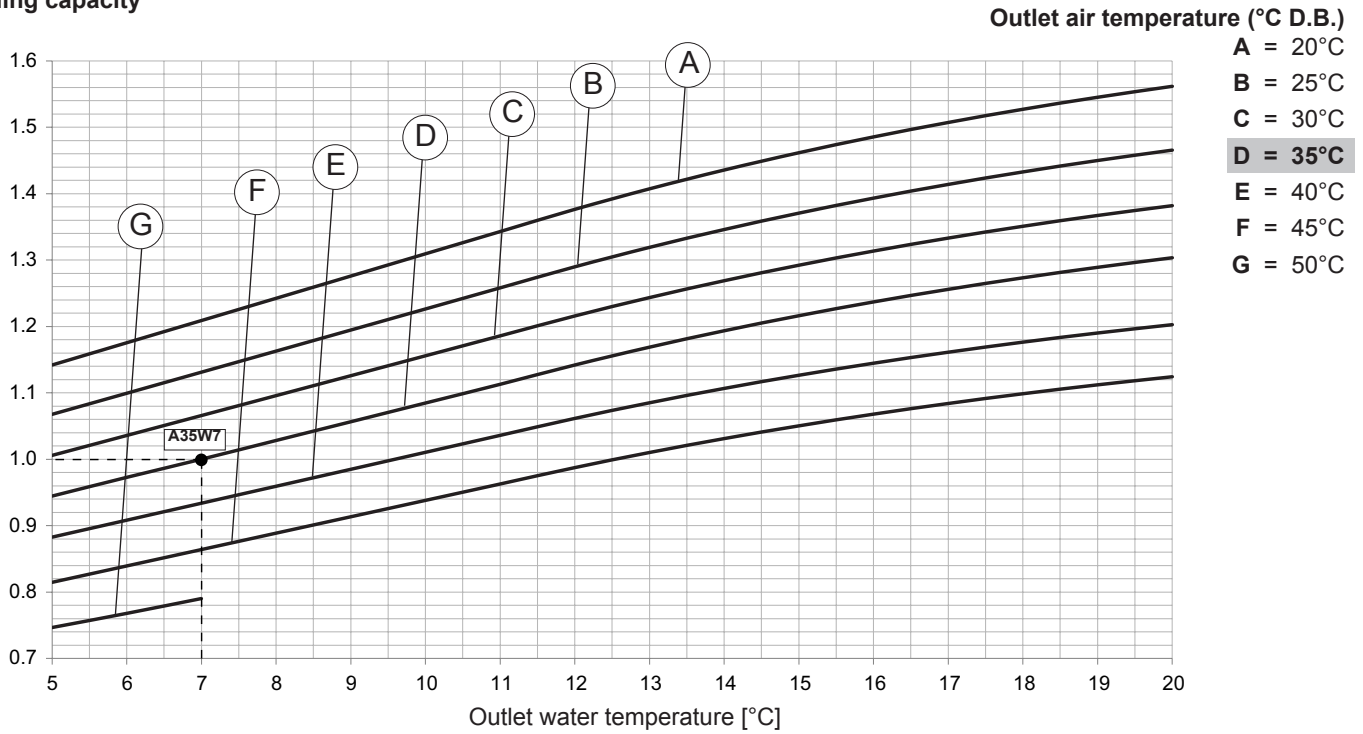
TECHNICAL DATA AND PERFORMANCE - BASE VERSION (VB)

COOLING performances

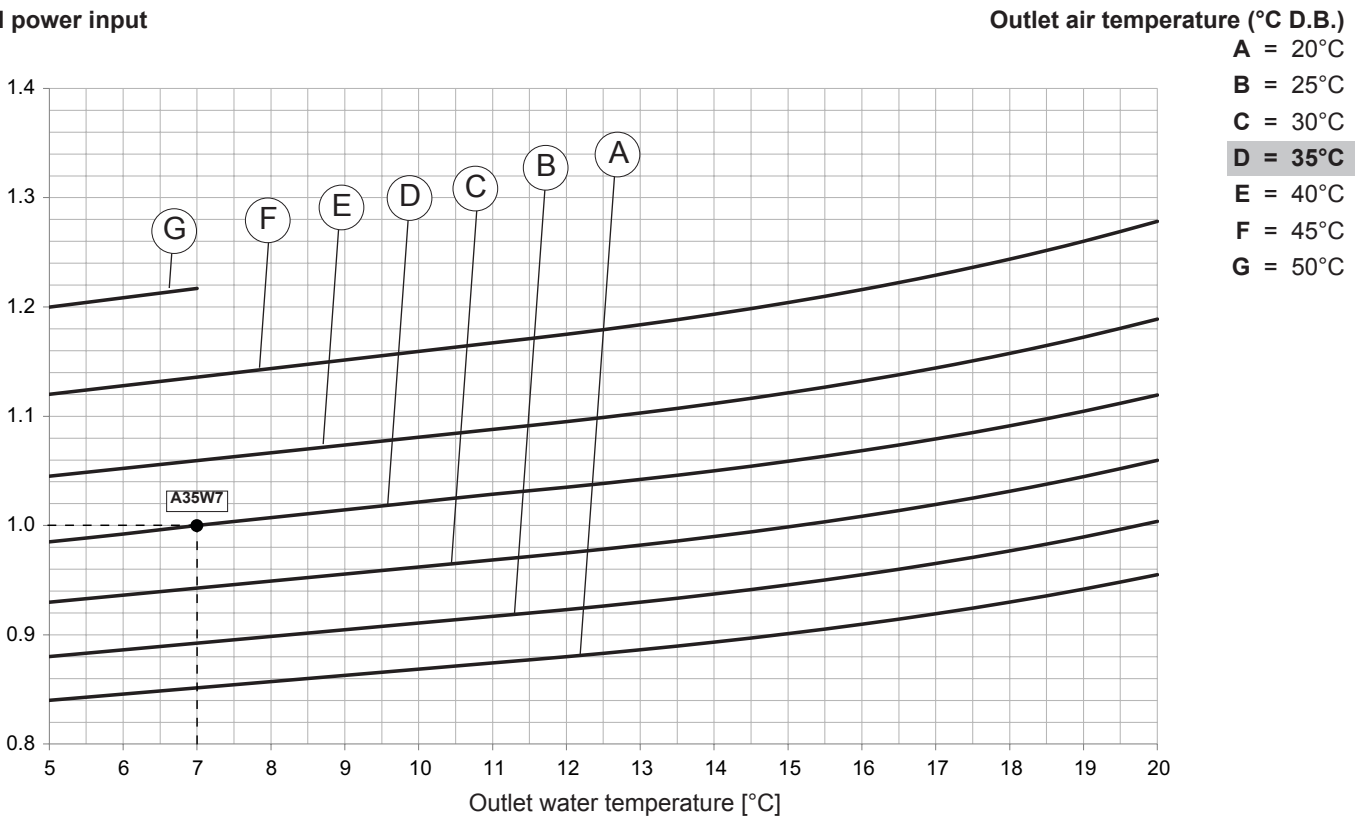
The graphs allow to get the corrective factors to be applied to the nominal performances in order to obtain the real performances in the selected operating conditions. For the "Operation limits" of the unit refer to the section limits.

The reference nominal condition is: **A35W7** (source : air in 35°C d.b. / plant : water in 12°C out 7°C)

Cooling capacity



Total power input



The standard performances refer to a 5°C temperature difference between the water entering and leaving the heat exchanger and to operation of the unit with all fans at nominal or maximum speed. A $0.44 \times 10^{-4} \text{ m}^2 \text{ K/W}$ fouling factor has also been considered with the unit installed at zero meters above sea level ($P_b = 1013\text{mbar}$).

TECHNICAL DATA AND PERFORMANCE - BASE VERSION (VB)

HEATING performances

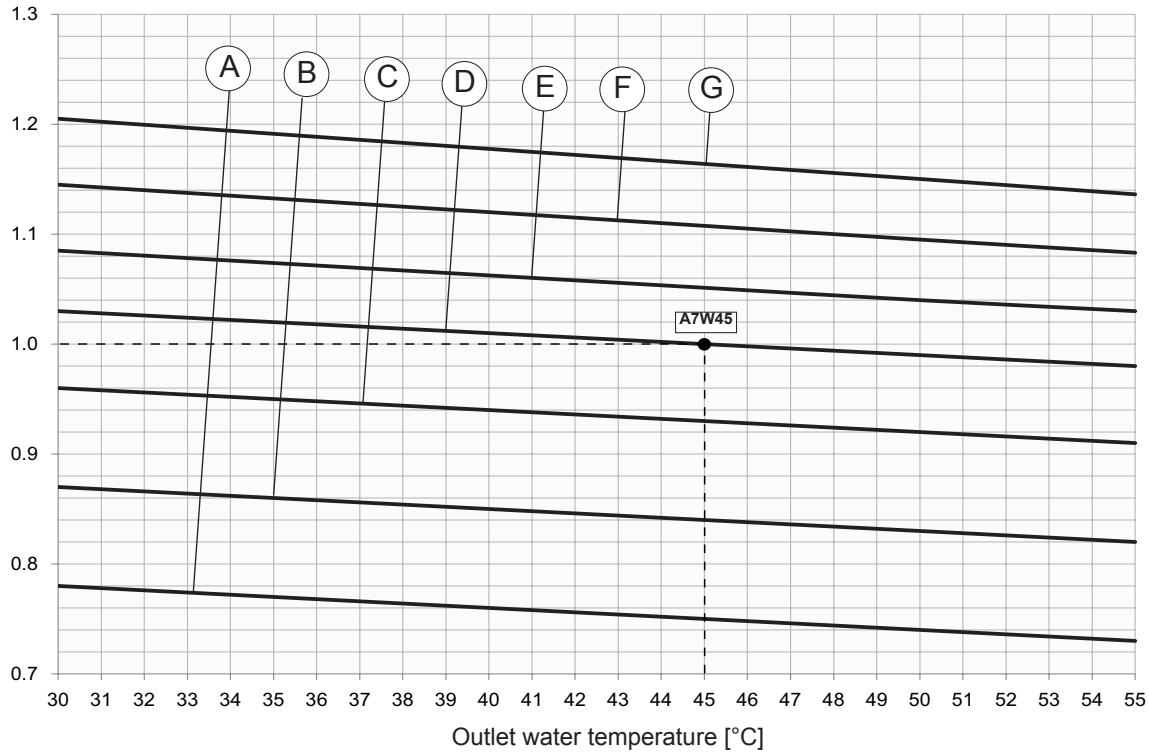
The graphs allow to get the corrective factors to be applied to the nominal performances in order to obtain the real performances in the selected operating conditions. For the "Operation limits" of the unit refer to the section limits.

The reference nominal condition is: **A7W45** (source : air in 7°C d.b. 6°C w.b. / plant : water in 40°C out 45°C)

Heating capacity

Outlet air temperature (°C D.B. / W.B.)

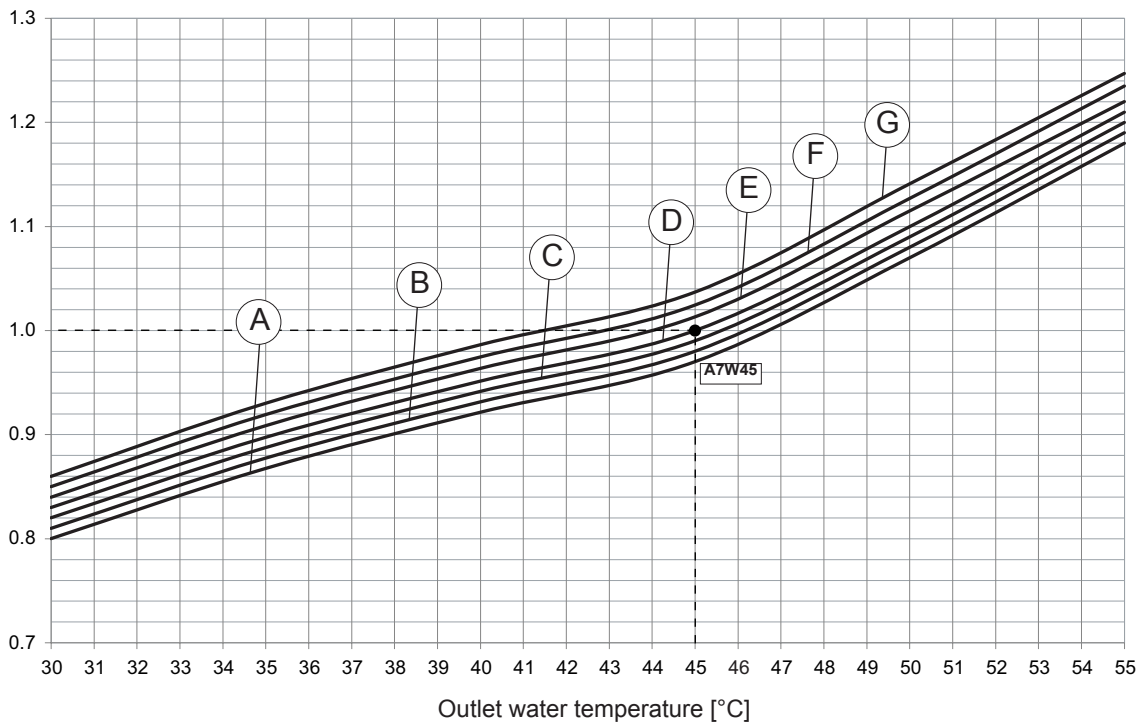
- A = -5,5 / -6°C
- B = -1,3 / -2°C
- C = 2,8 / 2°C
- D = 7 / 6°C**
- E = 10,1 / 9°C
- F = 13,2 / 12°C
- G = 16,4 / 15°C



Total power input

Outlet air temperature (°C D.B. / W.B.)

- A = -5,5 / -6°C
- B = -1,3 / -2°C
- C = 2,8 / 2°C
- D = 7 / 6°C**
- E = 10,1 / 9°C
- F = 13,2 / 12°C
- G = 16,4 / 15°C



The standard performances refer to a 5°C temperature difference between the water entering and leaving the heat exchanger and to operation of the unit with all fans at nominal or maximum speed. A $0.44 \times 10^{-4} \text{ m}^2 \text{ K/W}$ fouling factor has also been considered with the unit installed at zero meters above sea level ($P_b = 1013 \text{ mbar}$).
NOTE For air temperatures of less than 7°C, the heating capacity is declared without considering the effect of the defrosting, strictly correlated with the humidity in the outdoor air.

TECHNICAL DATA AND PERFORMANCE - BASE VERSION (VB)

Correction factor for the use of glycol in heating mode

ETHYLENE GLYCOL with water produced between 30 ÷ 55 ° C.

Percentage Of glycol in mass / volume	0 / 0	10 / 8,9	20 / 18,1	30 / 27,7	40 / 37,5
Freezing point [°C]	0	-3,2	-8	-14	-22
CCPT - Heating capacity	1,000	0,995	0,985	0,975	0,970
CCPA - Power input	1,000	1,010	1,015	1,020	1,030
CCQA - Water flow rate	1,000	1,038	1,062	1,091	1,127
CCDP - Water pressure drop	1,000	1,026	1,051	1,077	1,103

PROPYLENE GLYCOL with water produced between 30 ÷ 55°C.

Percentage Of glycol in mass / volume	0 / 0	10 / 9,6	20 / 19,4	30 / 29,4	40 / 39,6
Freezing point [°C]	0	-3,3	-7	-13	-21
CCPT - Heating capacity	1,000	0,990	0,975	0,965	0,955
CCPA - Power input	1,000	1,010	1,020	1,030	1,040
CCQA - Water flow rate	1,000	1,018	1,032	1,053	1,082
CCDP - Water pressure drop	1,000	1,026	1,051	1,077	1,103

Based on DESIGN CONDITIONS extract Heating Capacity (kW_t).

Based on type and percentage of glycol extract CCPT, CCQA, CCDP.

Then calculate.

$$Pt_{brine} = kW_t \times CCPT$$

$$Pass_{CP_{brine}} = kW_a \times CCPA$$

Then calculate brine flow rate to the heat recovery exchanger:

$$Q_{brine} [l/s] = CCQA \times (Pt_{brine} [kW] \times 0.86 / \Delta T_{brine}) / 3.6$$

where ΔT_{brine} is the temperature difference outlet-intlet heat recovery exchanger:

$$\Delta T_{brine} = Tw_{out_{brine}} - Tw_{in_{brine}}$$

With this brine flow rate enter in abscissa on the water pressure drop of the heat recovery then you have Dp_{app}.

Finally you can calculate the actual pressure drop of the brine on heat recovery:

$$Dp_{brine} = CCDP \times Dp_{app}$$

TECHNICAL DATA AND PERFORMANCE - BASE VERSION (VB)

Correction factor for the use of glycol in cooling mode

ETHYLENE GLYCOL with water produced between $5 \div 20$ ° C.

Percentage Of glycol in mass / volume	0 / 0	10 / 8,9	20 / 18,1	30 / 27,7	40 / 37,5
Freezing point [°C]	0	-3,2	-8	-14	-22
CCPF - Cooling capacity	1,00	0,99	0,98	0,97	0,95
CCPA - Power input	1,00	1,00	0,99	0,99	0,98
CCQA - Water flow rate	1,00	1,04	1,08	1,12	1,16
CCDP - Water pressure drop	1,00	1,08	1,16	1,25	1,35

PROPYLENE GLYCOL with water produced between $5 \div 20$ ° C.

Percentage Of glycol in mass / volume	0 / 0	10 / 9,6	20 / 19,4	30 / 29,4	40 / 39,6
Freezing point [°C]	0	-3,3	-7	-13	-21
CCPF - Cooling capacity	1,00	0,98	0,96	0,94	0,92
CCPA - Power input	1,00	0,99	0,98	0,95	0,93
CCQA - Water flow rate	1,00	1,01	1,03	1,06	1,09
CCDP - Water pressure drop	1,00	1,05	1,11	1,22	1,38

Based on outdoor air temperature and leaving water temperature of the evaporator (DESIGN CONDITIONS) extract Cooling Capacity (kWf) and Compressors Power Input (kW_a).

Based on type and percentage of glycol extract CCPF, CCPA, CCQA, CCDP.

Then calculate.

$$Pf_{brine} = kWf \times CCPF$$

$$Pass_{CP_{brine}} = kW_a \times CCPA$$

Then calculate brine flow rate of the evaporator:

$$Q_{brine_evap} [l/s] = CCQA \times (Pf_{brine} [kW]) \times 0.86 / \Delta T_{brine} / 3.6$$

where ΔT_{brine} is the difference inlet-outlet evaporator water temperature:

$$\Delta T_{brine} = T_{win_evap_brine} - T_{wout_evap_brine}$$

With this brine flow rate enter in abscissa on the water pressure drop of the evaporator then you have Dp_{app} .

Finally you can calculate the actual pressure drop of the brine on evaporator side:

$$Dp_{evap_brine} = CCDP \times Dp_{app}$$

Fouling factors

The performances supplied with the tables are referred to a fouling factory = 0.44×10^{-4} m² K/W . For different values of the fouling factory, use the reduction coefficients reported in the following table.

Fouling factory		Evaporator	
		F.c. PF	F.c. PA
(m ² K / W)	$0,44 \times 10^{-4}$	1,00	1,00
(m ² K / W)	$0,86 \times 10^{-4}$	0,98	0,99
(m ² K / W)	$1,72 \times 10^{-4}$	0,93	0,98

F.c. PF: Correction Factor for Cooling capacity

F.c. PA: Correction Factor for compressor power Input

TECHNICAL DATA AND PERFORMANCE - DESUPERHEATER VERSION (VD)

Heat exchanger specifications

Model	160.4	180.4	200.4	230.4	260.4	290.4	330.4	375.4	420.4	U.M.
Type of recovery exchanger	A piastre inox saldobrasate									-
Quantity	1									N°
Max. operating pressure on wet side	600									kPa
Total water content of recovery exchangers	1,3	1,3	1,3	1,3	1,3	1,3	1,6	1,6	1,6	l

NET NOMINAL performances - IR unit - Standard plants

Base setting up AB

Modello	160.4	180.4	200.4	230.4	260.4	290.4	330.4	375.4	420.4	U.M.	
Cooling A35W7 - W45 (source : air in 35°C d.b. / plant : water in 12°C out 7°C / Recovery : water in 40°C out 45°C)											
IR	Cooling capacity	167	185	207	237	264	300	336	382	425	kW
	Total power input	55.0	61.2	69.3	78.5	88.7	101	112	127	143	kW
	EER	3.04	3.01	2.99	3.02	2.98	2.97	3.00	3.01	2.98	W/W
	HRE	3.90	3.89	3.87	3.91	3.85	3.85	3.90	3.88	3.86	W/W
	Water flow rate	8.05	8.89	10.0	11.4	12.8	14.5	16.2	18.4	20.5	l/s
	Water pressure drop	55	55	63	62	65	68	58	62	63	kPa
	Recovered heating capacity	47.2	53.4	61.2	70.3	76.6	88.7	99.9	110.8	126.6	kW
	Recovered water flow rate	2.25	2.55	2.93	3.36	3.66	4.24	4.77	5.29	6.05	l/s
	Recovered water pressure drop	5	7	8	10	13	16	16	21	25	kPa

Low noise setting up AS

Modello	160.4	180.4	200.4	230.4	260.4	290.4	330.4	375.4	420.4	U.M.	
Cooling A35W7 - W45 (source : air in 35°C d.b. / plant : water in 12°C out 7°C / Recovery : water in 40°C out 45°C)											
IR	Cooling capacity	161	177	199	228	254	288	323	367	408	kW
	Total power input	57.8	64.5	73.2	83.1	93.3	107	118	134	151	kW
	EER	2.79	2.75	2.72	2.74	2.73	2.70	2.73	2.74	2.71	W/W
	HRE	3.67	3.65	3.62	3.66	3.61	3.60	3.64	3.64	3.61	W/W
	Water flow rate	7.75	8.55	9.6	11.0	12.3	13.9	15.6	17.7	19.7	l/s
	Water pressure drop	51	51	58	57	60	63	54	58	58	kPa
	Recovered heating capacity	51.0	57.7	66.2	76.0	82.7	95.9	108	120	137	kW
	Recovered water flow rate	2.43	2.76	3.16	3.63	3.95	4.58	5.15	5.72	6.52	l/s
	Recovered water pressure drop	6	8	10	12	15	19	19	24	29	kPa

Extra low noise setting up AX

Modello	160.4	180.4	200.4	230.4	260.4	290.4	330.4	375.4	420.4	U.M.	
Cooling A35W7 - W45 (source : air in 35°C d.b. / plant : water in 12°C out 7°C / Recovery : water in 40°C out 45°C)											
IR	Cooling capacity	157	173	195	223	249	282	316	360	400	kW
	Total power input	58.3	65.2	74.1	84.2	94.3	108	120	135	153	kW
	EER	2.69	2.66	2.63	2.64	2.65	2.61	2.63	2.67	2.62	W/W
	HRE	3.59	3.57	3.55	3.57	3.55	3.53	3.56	3.57	3.54	W/W
	Water flow rate	7.55	8.35	9.4	10.7	12.0	13.6	15.2	17.3	19.3	l/s
	Water pressure drop	49	49	55	54	58	60	51	55	56	kPa
	Recovered heating capacity	52.3	59.3	68.0	78.1	85.0	98.5	111	123	140	kW
	Recovered water flow rate	2.50	2.83	3.25	3.73	4.06	4.71	5.29	5.86	6.71	l/s
	Recovered water pressure drop	6	8	10	13	16	20	20	25	31	kPa

Data declared according to **EN 14511**. The values are referred to units without options and accessories.

EER (Energy Efficiency Ratio) = ratio of the total cooling capacity to the effective power input of the unit

ESEER (European Seasonal Energy Efficiency Ratio)

COP (Coefficient Of Performance) = ratio of the total heating capacity to the effective power input of the unit

HRE (Heat Recovery Efficiency) = ratio of the total capacity of the system (heating plus cooling capacity) to the effective power input

TECHNICAL DATA AND PERFORMANCE - DESUPERHEATER VERSION (VD)

GROSS NOMINAL performances - IR unit - Standard plants

Base setting up AB

Model		160.4	180.4	200.4	230.4	260.4	290.4	330.4	375.4	420.4	U.M.
IR	Cooling A35W7 - W45 (source : air in 35°C d.b. / plant : water in 12°C out 7°C / Recovery : water in 40°C out 45°C)										
	Cooling capacity	168	186	209	239	267	304	339	386	430	kW
	Total power input	53.5	59.6	67.2	76.2	85.9	97.8	109	123	139	kW
	EER	3.14	3.12	3.11	3.14	3.11	3.11	3.11	3.14	3.09	W/W
	HRE	4.03	4.02	4.02	4.06	4.00	4.01	4.04	4.04	4.01	W/W
	Water flow rate	8.05	8.89	10.0	11.4	12.8	14.5	16.2	18.4	20.5	l/s
	Water pressure drop	55	55	63	62	65	68	58	62	63	kPa
	Recovered heating capacity	47.2	53.4	61.2	70.3	76.6	88.7	99.9	110.8	126.6	kW
	Recovered water flow rate	2.25	2.55	2.93	3.36	3.66	4.24	4.77	5.29	6.05	l/s
	Recovered water pressure drop	5	7	8	10	13	16	16	21	25	kPa

Low noise setting up AS

Model		160.4	180.4	200.4	230.4	260.4	290.4	330.4	375.4	420.4	U.M.
IR	Cooling A35W7 - W45 (source : air in 35°C d.b. / plant : water in 12°C out 7°C / Recovery : water in 40°C out 45°C)										
	Cooling capacity	162	179	201	230	257	291	326	370	412	kW
	Total power input	56.4	63.0	71.4	81.0	90.8	104	115	130	147	kW
	EER	2.87	2.84	2.82	2.84	2.83	2.80	2.83	2.85	2.80	W/W
	HRE	3.78	3.75	3.74	3.78	3.74	3.73	3.75	3.76	3.74	W/W
	Water flow rate	7.75	8.55	9.6	11.0	12.3	13.9	15.6	17.7	19.7	l/s
	Water pressure drop	51	51	58	57	60	63	54	58	58	kPa
	Recovered heating capacity	51.0	57.7	66.2	76.0	82.7	95.9	108	120	137	kW
	Recovered water flow rate	2.43	2.76	3.16	3.63	3.95	4.58	5.15	5.72	6.52	l/s
	Recovered water pressure drop	6	8	10	12	15	19	19	24	29	kPa

Extra low noise setting up AX

Model		160.4	180.4	200.4	230.4	260.4	290.4	330.4	375.4	420.4	U.M.
IR	Cooling A35W7 - W45 (source : air in 35°C d.b. / plant : water in 12°C out 7°C / Recovery : water in 40°C out 45°C)										
	Cooling capacity	158	175	197	225	252	285	318	363	404	kW
	Total power input	57.1	63.9	72.4	82.3	92	105	117	132	149	kW
	EER	2.77	2.74	2.72	2.73	2.74	2.71	2.72	2.75	2.71	W/W
	HRE	3.69	3.66	3.65	3.68	3.66	3.64	3.66	3.68	3.64	W/W
	Water flow rate	7.55	8.35	9.4	10.7	12.0	13.6	15.2	17.3	19.3	l/s
	Water pressure drop	49	49	55	54	58	60	51	55	56	kPa
	Recovered heating capacity	52.3	59.3	68.0	78.1	85.0	98.5	111	123	140	kW
	Recovered water flow rate	2.50	2.83	3.25	3.73	4.06	4.71	5.29	5.86	6.71	l/s
	Recovered water pressure drop	6	8	10	13	16	20	20	25	31	kPa

The values are referred to units without options and accessories.

EER (Energy Efficiency Ratio) = ratio of the total cooling capacity to the effective power input of the unit

ESEER (European Seasonal Energy Efficiency Ratio)

COP (Coefficient Of Performance) = ratio of the total heating capacity to the effective power input of the unit

HRE (Heat Recovery Efficiency) = ratio of the total capacity of the system (heating plus cooling capacity) to the effective power input

TECHNICAL DATA AND PERFORMANCE - DESUPERHEATER VERSION (VD)

Heat exchanger specifications

Modello	160.4	180.4	200.4	230.4	260.4	290.4	330.4	375.4	420.4	U.M.
Type of recovery exchanger	A piastre inox saldobrasate									-
Quantity	1									N°
Max. operating pressure on wet side	600									kPa
Total water content of recovery exchangers	1,3	1,3	1,3	1,3	1,3	1,3	1,6	1,6	1,6	l

NET NOMINAL performances - IP unit - Standard plants

Base setting up AB

Modello	160.4	180.4	200.4	230.4	260.4	290.4	330.4	375.4	420.4	U.M.	
Cooling A35W7 - W45 (source : air in 35°C d.b. / plant : water in 12°C out 7°C / Recovery : water in 40°C out 45°C)											
IP	Cooling capacity	160	177	200	224	253	286	322	371	413	kW
	Total power input	54.1	60.4	67.9	76.6	87.8	99	111	126	140	kW
	EER	2.96	2.94	2.94	2.92	2.89	2.88	2.91	2.95	2.96	W/W
	HRE	3.82	3.81	3.83	3.82	3.75	3.76	3.81	3.83	3.85	W/W
	Water flow rate	7.70	8.55	9.64	10.8	12.2	13.8	15.5	17.9	19.9	l/s
	Water pressure drop	51	51	58	55	59	62	53	59	59	kPa
	Recovered heating capacity	46.5	52.7	60.1	68.8	76.1	87.5	98.9	110	124	kW
	Recovered water flow rate	2.22	2.52	2.87	3.29	3.64	4.18	4.73	5.25	5.91	l/s
	Recovered water pressure drop	5	6	8	10	13	16	16	20	24	kPa

Low noise setting up AS

Modello	160.4	180.4	200.4	230.4	260.4	290.4	330.4	375.4	420.4	U.M.	
Cooling A35W7 - W45 (source : air in 35°C d.b. / plant : water in 12°C out 7°C / Recovery : water in 40°C out 45°C)											
IP	Cooling capacity	154	170	192	215	243	275	310	357	397	kW
	Total power input	56.9	63.6	71.8	81.1	92.5	105	117	132	147	kW
	EER	2.70	2.68	2.67	2.65	2.63	2.62	2.65	2.69	2.69	W/W
	HRE	3.59	3.57	3.58	3.56	3.52	3.52	3.56	3.59	3.60	W/W
	Water flow rate	7.40	8.20	9.24	10.3	11.7	13.3	14.9	17.2	19.1	l/s
	Water pressure drop	47	47	53	50	55	57	49	54	55	kPa
	Recovered heating capacity	50.3	57.0	64.9	74.3	82.2	94.5	107	119	134	kW
	Recovered water flow rate	2.40	2.72	3.10	3.55	3.93	4.51	5.11	5.67	6.38	l/s
	Recovered water pressure drop	6	7	9	11	15	19	18	24	28	kPa

Extra low noise setting up AX

Modello	160.4	180.4	200.4	230.4	260.4	290.4	330.4	375.4	420.4	U.M.	
Cooling A35W7 - W45 (source : air in 35°C d.b. / plant : water in 12°C out 7°C / Recovery : water in 40°C out 45°C)											
IP	Cooling capacity	151	167	188	211	238	269	302	349	389	kW
	Total power input	57.5	64.4	72.7	82.2	93.5	106	119	134	150	kW
	EER	2.62	2.60	2.58	2.56	2.55	2.53	2.55	2.61	2.60	W/W
	HRE	3.52	3.51	3.50	3.49	3.45	3.45	3.48	3.52	3.52	W/W
	Water flow rate	7.25	8.05	9.04	10.1	11.5	13.0	14.6	16.8	18.7	l/s
	Water pressure drop	45	45	51	48	53	55	47	52	52	kPa
	Recovered heating capacity	51.6	58.6	66.7	76.3	84.5	97.1	110	122	138	kW
	Recovered water flow rate	2.47	2.80	3.19	3.64	4.04	4.64	5.25	5.81	6.57	l/s
	Recovered water pressure drop	6	8	10	12	16	20	19	25	30	kPa

Data declared according to **EN 14511**. The values are referred to units without options and accessories.

EER (Energy Efficiency Ratio) = ratio of the total cooling capacity to the effective power input of the unit

ESEER (European Seasonal Energy Efficiency Ratio)

COP (Coefficient Of Performance) = ratio of the total heating capacity to the effective power input of the unit

HRE (Heat Recovery Efficiency) = ratio of the total capacity of the system (heating plus cooling capacity) to the effective power input



NOTE : THE HEATING CAPACITY RECOVERED BY THE DESUPERHEATER EXCLUSIVELY REFERS TO UNITS OPERATING IN THE COOLING MODE.

TECHNICAL DATA AND PERFORMANCE - DESUPERHEATER VERSION (VD)

GROSS NOMINAL performances - IP unit - Standard plants

Base setting up AB

Modello		160.4	180.4	200.4	230.4	260.4	290.4	330.4	375.4	420.4	U.M.
IP	Cooling A35W7 - W45 (source : air in 35°C d.b. / plant : water in 12°C out 7°C / Recovery : water in 40°C out 45°C)										
	Cooling capacity	161	179	202	226	256	289	324	374	417	kW
	Total power input	52.8	58.9	66.1	74.6	85.4	96.5	108	122	136	kW
	EER	3.05	3.04	3.06	3.03	3.00	2.99	3.00	3.07	3.07	W/W
	HRE	3.93	3.93	3.96	3.95	3.89	3.90	3.93	3.97	3.99	W/W
	Water flow rate	7.70	8.55	9.64	10.8	12.2	13.8	15.5	17.9	19.9	l/s
	Water pressure drop	51	51	58	55	59	62	53	59	59	kPa
	Recovered heating capacity	46.5	52.7	60.1	68.8	76.1	87.5	98.9	110	124	kW
	Recovered water flow rate	2.22	2.52	2.87	3.29	3.64	4.18	4.73	5.25	5.91	l/s
	Recovered water pressure drop	5	6	8	10	13	16	16	20	24	kPa

Low noise setting up AS

Modello		160.4	180.4	200.4	230.4	260.4	290.4	330.4	375.4	420.4	U.M.
IP	Cooling A35W7 - W45 (source : air in 35°C d.b. / plant : water in 12°C out 7°C / Recovery : water in 40°C out 45°C)										
	Cooling capacity	155	172	193	216	245	278	312	360	400	kW
	Total power input	55.8	62.4	70.1	79.3	90.3	102	114	129	144	kW
	EER	2.78	2.76	2.75	2.72	2.71	2.73	2.74	2.79	2.78	W/W
	HRE	3.68	3.67	3.68	3.66	3.63	3.64	3.66	3.70	3.71	W/W
	Water flow rate	7.40	8.20	9.24	10.3	11.7	13.3	14.9	17.2	19.1	l/s
	Water pressure drop	47	47	53	50	55	57	49	54	55	kPa
	Recovered heating capacity	50.3	57.0	64.9	74.3	82.2	94.5	107	119	134	kW
	Recovered water flow rate	2.40	2.72	3.10	3.55	3.93	4.51	5.11	5.67	6.38	l/s
	Recovered water pressure drop	6	7	9	11	15	19	18	24	28	kPa

Extra low noise setting up AX

Modello		160.4	180.4	200.4	230.4	260.4	290.4	330.4	375.4	420.4	U.M.
IP	Cooling A35W7 - W45 (source : air in 35°C d.b. / plant : water in 12°C out 7°C / Recovery : water in 40°C out 45°C)										
	Cooling capacity	152	168	189	212	240	271	305	352	392	kW
	Total power input	56.4	63.2	71.1	80.5	91.5	104	116	131	146	kW
	EER	2.70	2.66	2.66	2.63	2.62	2.61	2.63	2.69	2.68	W/W
	HRE	3.61	3.59	3.60	3.58	3.55	3.55	3.56	3.62	3.62	W/W
	Water flow rate	7.25	8.05	9.04	10.1	11.5	13.0	14.6	16.8	18.7	l/s
	Water pressure drop	45	45	51	48	53	55	47	52	52	kPa
	Recovered heating capacity	51.6	58.6	66.7	76.3	84.5	97.1	110	122	138	kW
	Recovered water flow rate	2.47	2.80	3.19	3.64	4.04	4.64	5.25	5.81	6.57	l/s
	Recovered water pressure drop	6	8	10	12	16	20	19	25	30	kPa

The values are referred to units without options and accessories.

EER (Energy Efficiency Ratio) = ratio of the total cooling capacity to the effective power input of the unit

ESEER (European Seasonal Energy Efficiency Ratio)

COP (Coefficient Of Performance) = ratio of the total heating capacity to the effective power input of the unit

HRE (Heat Recovery Efficiency) = ratio of the total capacity of the system (heating plus cooling capacity) to the effective power input



NOTE : THE HEATING CAPACITY RECOVERED BY THE DESUPERHEATER EXCLUSIVELY REFERS TO UNITS OPERATING IN THE COOLING MODE.

TECHNICAL DATA AND PERFORMANCE - DESUPERHEATER VERSION (VD)

Desuperheaters VD performances

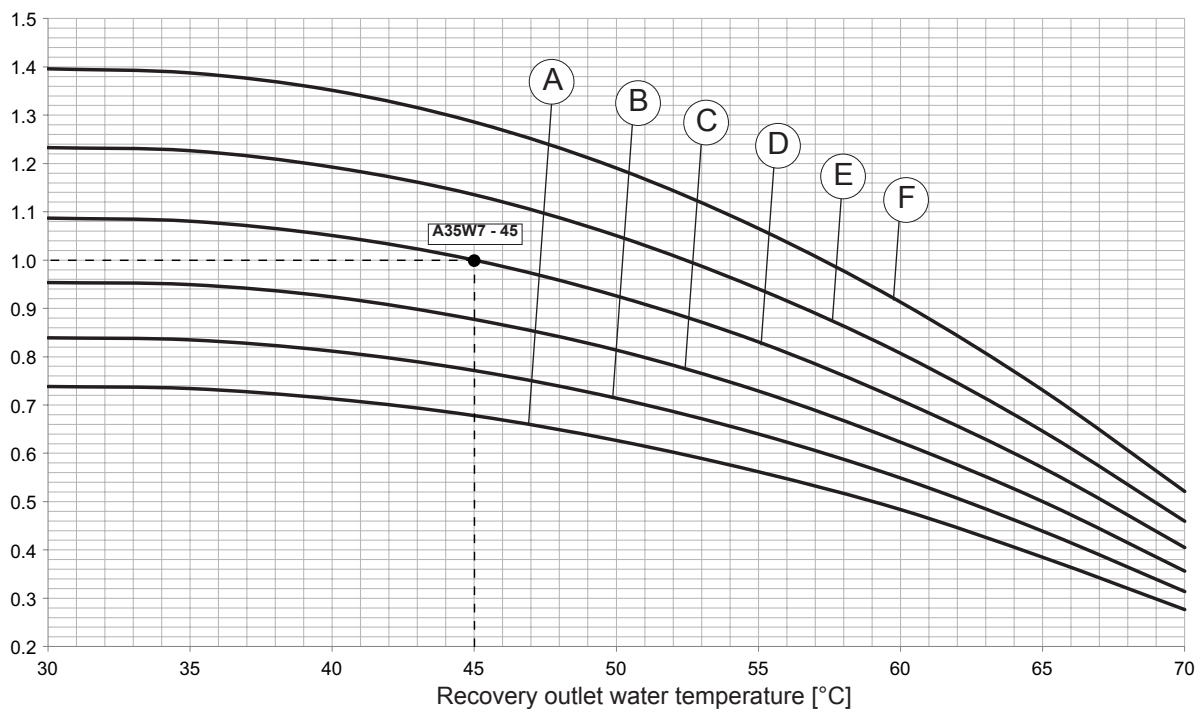
The graphs allow to get the corrective factors to be applied to the nominal performances in order to obtain the real performances in the selected operating conditions.

The reference nominal condition is: **A35W7 - 45** (source : air in 35°C d.b. / plant : water in 12°C out 7°C / Recovery : water in 40°C out 45°C)

Recovered capacity VD

Outlet air temperature (°C D.B.)

- A = 20°C
- B = 25°C
- C = 30°C
- D = 35°C
- E = 40°C
- F = 45°C



The standard performances refer to a 5°C temperature difference between the water entering and leaving the heat exchanger and to operation of the unit with all fans at nominal or maximum speed. A 0.44×10^{-4} m² K/W fouling factor has also been considered with the unit installed at zero meters above sea level (Pb = 1013mbar).

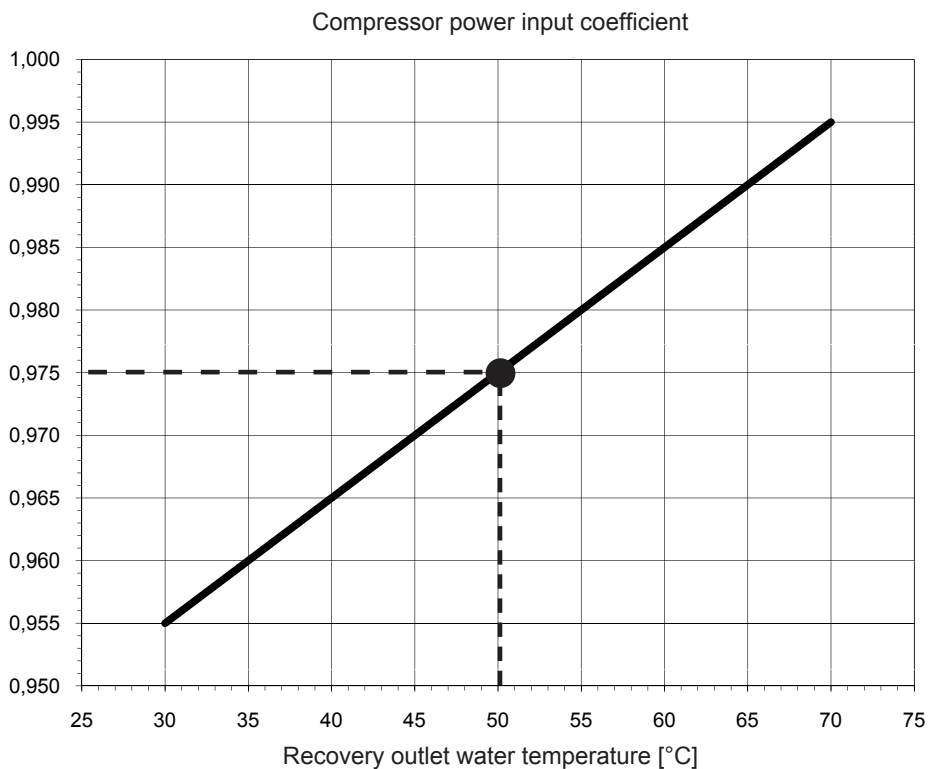
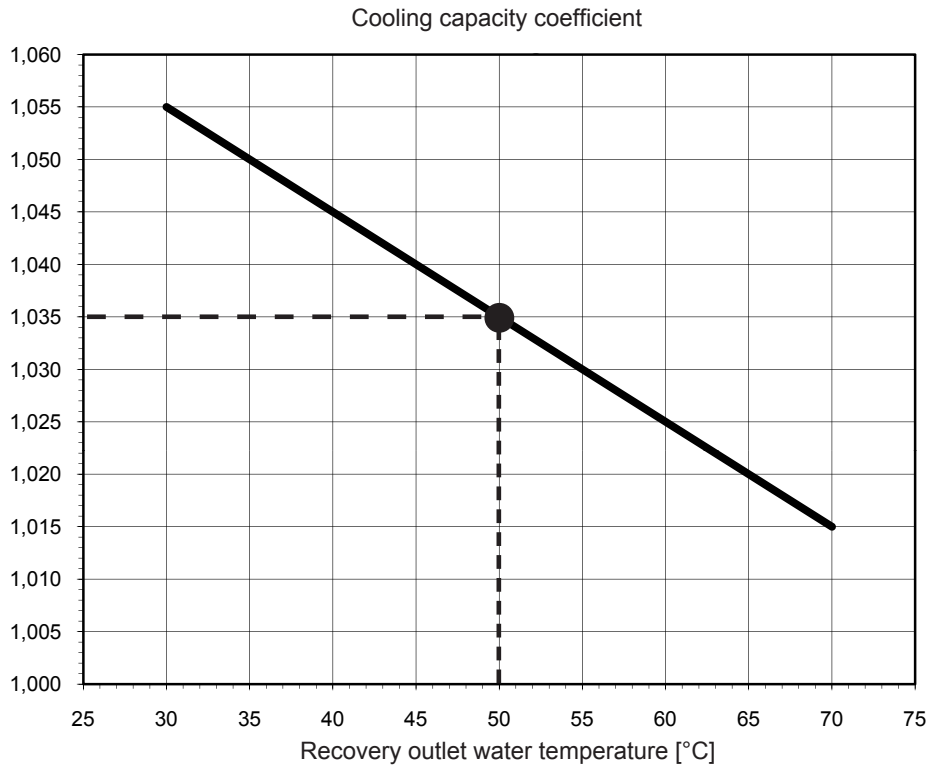
TECHNICAL DATA AND PERFORMANCE - DESUPERHEATER VERSION (VD)

Corrective factors

On the water leaving temperature of the desuperheater, extract from the graphs the correction factors that have to be applied to the cooling capacity and power input.

Es. water leaving temperature of the desuperheater = 50°C

Cooling capacity	$P_{f_{VD}} = P_f \times CP_{f_{VD}}$	$\rightarrow P_{f_{VD}} = P_f \times 1,035$
Power input	$P_{a_{VD}} = P_a \times CP_{a_{VD}}$	$\rightarrow P_{a_{VD}} = P_a \times 0,975$



TECHNICAL DATA AND PERFORMANCE - RECOVERY VERSION (VR)

Heat exchanger specifications

Model	160.4	180.4	200.4	230.4	260.4	290.4	330.4	375.4	420.4	U.M.
Type of recovery exchanger	Brazen plates									-
Quantity	1									N°
Max. operating pressure on wet side	600									kPa
Total water content of recovery exchangers	17.6	19.2	21.6	24.8	27.2	30.4	34.4	38.4	43.2	l

NET NOMINAL performances - IR unit - Standard plants

Base setting up AB

Model	160.4	180.4	200.4	230.4	260.4	290.4	330.4	375.4	420.4	U.M.	
Cooling A35W7 - W45 (source : air in 35°C d.b. / plant : water in 12°C out 7°C / Recovery : water in 40°C out 45°C)											
IR	Cooling capacity	169	186	209	239	267	303	339	386	429	kW
	Total power input	47.3	53.5	61.6	70.7	77.2	89.5	100	111	127	kW
	EER	3.56	3.48	3.39	3.38	3.46	3.39	3.38	3.46	3.37	W/W
	HRE	8.08	7.91	7.75	7.71	7.87	7.72	7.71	7.87	7.69	W/W
	Water flow rate	8.13	8.98	10.1	11.5	12.9	14.6	16.4	18.6	20.7	l/s
	Water pressure drop	56	57	64	63	66	69	59	64	64	kPa
	Recovered heating capacity	214	237	268	306	340	388	434	492	550	kW
	Recovered water flow rate	10.2	11.3	12.8	14.6	16.2	18.5	20.7	23.5	26.3	l/s
	Recovered water pressure drop	45	43	45	45	47	49	49	51	51	kPa

Low noise setting up AS

Model	160.4	180.4	200.4	230.4	260.4	290.4	330.4	375.4	420.4	U.M.	
Cooling A35W7 - W45 (source : air in 35°C d.b. / plant : water in 12°C out 7°C / Recovery : water in 40°C out 45°C)											
IR	Cooling capacity	169	186	209	239	267	303	339	386	429	kW
	Total power input	47.3	53.5	61.6	70.7	77.2	89.5	100	111	127	kW
	EER	3.56	3.48	3.39	3.38	3.46	3.39	3.38	3.46	3.37	W/W
	HRE	8.08	7.91	7.75	7.71	7.87	7.72	7.71	7.87	7.69	W/W
	Water flow rate	8.13	8.98	10.1	11.5	12.9	14.6	16.4	18.6	20.7	l/s
	Water pressure drop	56	57	64	63	66	69	59	64	64	kPa
	Recovered heating capacity	214	237	268	306	340	388	434	492	550	kW
	Recovered water flow rate	10.2	11.3	12.8	14.6	16.2	18.5	20.7	23.5	26.3	l/s
	Recovered water pressure drop	45	43	45	45	47	49	49	51	51	kPa

Extra low noise setting up AX

Model	160.4	180.4	200.4	230.4	260.4	290.4	330.4	375.4	420.4	U.M.	
Cooling A35W7 - W45 (source : air in 35°C d.b. / plant : water in 12°C out 7°C / Recovery : water in 40°C out 45°C)											
IR	Cooling capacity	169	186	209	239	267	303	339	386	429	kW
	Total power input	47.3	53.5	61.6	70.7	77.2	89.5	100	111	127	kW
	EER	3.56	3.48	3.39	3.38	3.46	3.39	3.38	3.46	3.37	W/W
	HRE	8.08	7.91	7.75	7.71	7.87	7.72	7.71	7.87	7.69	W/W
	Water flow rate	8.13	8.98	10.1	11.5	12.9	14.6	16.4	18.6	20.7	l/s
	Water pressure drop	56	57	64	63	66	69	59	64	64	kPa
	Recovered heating capacity	214	237	268	306	340	388	434	492	550	kW
	Recovered water flow rate	10.2	11.3	12.8	14.6	16.2	18.5	20.7	23.5	26.3	l/s
	Recovered water pressure drop	45	43	45	45	47	49	49	51	51	kPa

Data declared according to **EN 14511**. The values are referred to units without options and accessories.

EER (Energy Efficiency Ratio) = ratio of the total cooling capacity to the effective power input of the unit

ESEER (European Seasonal Energy Efficiency Ratio)

COP (Coefficient Of Performance) = ratio of the total heating capacity to the effective power input of the unit

HRE (Heat Recovery Efficiency) = ratio of the total capacity of the system (heating plus cooling capacity) to the effective power input

TECHNICAL DATA AND PERFORMANCE - RECOVERY VERSION (VR)

GROSS NOMINAL performances - IR unit - Standard plants

Base setting up AB

Model		160.4	180.4	200.4	230.4	260.4	290.4	330.4	375.4	420.4	U.M.
IR	Cooling A35W7 - W45 (source : air in 35°C d.b. / plant : water in 12°C out 7°C / Recovery : water in 40°C out 45°C)										
	Cooling capacity	170	188	211	242	270	307	342	390	434	kW
	Total power input	45.8	51.8	59.4	68.3	74.3	86.1	97	108	123	kW
	EER	3.71	3.63	3.55	3.54	3.63	3.57	3.53	3.61	3.53	W/W
	HRE	8.39	8.20	8.06	8.02	8.21	8.07	8.01	8.20	8.00	W/W
	Water flow rate	8.13	8.98	10.1	11.5	12.9	14.6	16.4	18.6	20.7	l/s
	Water pressure drop	56	57	64	63	66	69	59	64	64	kPa
	Recovered heating capacity	214	237	268	306	340	388	434	492	550	kW
	Recovered water flow rate	10.2	11.3	12.8	14.6	16.2	18.5	20.7	23.5	26.3	l/s
Recovered water pressure drop	45	43	45	45	47	49	49	51	51	kPa	

Low noise setting up AS

Model		160.4	180.4	200.4	230.4	260.4	290.4	330.4	375.4	420.4	U.M.
IR	Raffreddamento A35W7 - W45 (sorgente : aria in 35°C b.s. / impianto : acqua in 12°C out 7°C / Recupero : acqua in 40°C out 45°C)										
	Cooling capacity	170	188	211	242	270	307	342	390	434	kW
	Total power input	45.8	51.8	59.4	68.3	74.3	86.1	97	108	123	kW
	EER	3.71	3.63	3.55	3.54	3.63	3.57	3.53	3.61	3.53	W/W
	HRE	8.39	8.20	8.06	8.02	8.21	8.07	8.01	8.20	8.00	W/W
	Water flow rate	8.13	8.98	10.1	11.5	12.9	14.6	16.4	18.6	20.7	l/s
	Water pressure drop	56	57	64	63	66	69	59	64	64	kPa
	Recovered heating capacity	214	237	268	306	340	388	434	492	550	kW
	Recovered water flow rate	10.2	11.3	12.8	14.6	16.2	18.5	20.7	23.5	26.3	l/s
Recovered water pressure drop	45	43	45	45	47	49	49	51	51	kPa	

Extra low noise setting up AX

Model		160.4	180.4	200.4	230.4	260.4	290.4	330.4	375.4	420.4	U.M.
IR	Cooling A35W7 - W45 (source : air in 35°C d.b. / plant : water in 12°C out 7°C / Recovery : water in 40°C out 45°C)										
	Cooling capacity	170	188	211	242	270	307	342	390	434	kW
	Total power input	45.8	51.8	59.4	68.3	74.3	86.1	97	108	123	kW
	EER	3.71	3.63	3.55	3.54	3.63	3.57	3.53	3.61	3.53	W/W
	HRE	8.39	8.20	8.06	8.02	8.21	8.07	8.01	8.20	8.00	W/W
	Water flow rate	8.13	8.98	10.1	11.5	12.9	14.6	16.4	18.6	20.7	l/s
	Water pressure drop	56	57	64	63	66	69	59	64	64	kPa
	Recovered heating capacity	214	237	268	306	340	388	434	492	550	kW
	Recovered water flow rate	10.2	11.3	12.8	14.6	16.2	18.5	20.7	23.5	26.3	l/s
Recovered water pressure drop	45	43	45	45	47	49	49	51	51	kPa	

The values are referred to units without options and accessories.

EER (Energy Efficiency Ratio) = ratio of the total cooling capacity to the effective power input of the unit

ESEER (European Seasonal Energy Efficiency Ratio)

COP (Coefficient Of Performance) = ratio of the total heating capacity to the effective power input of the unit

HRE (Heat Recovery Efficiency) = ratio of the total capacity of the system (heating plus cooling capacity) to the effective power input

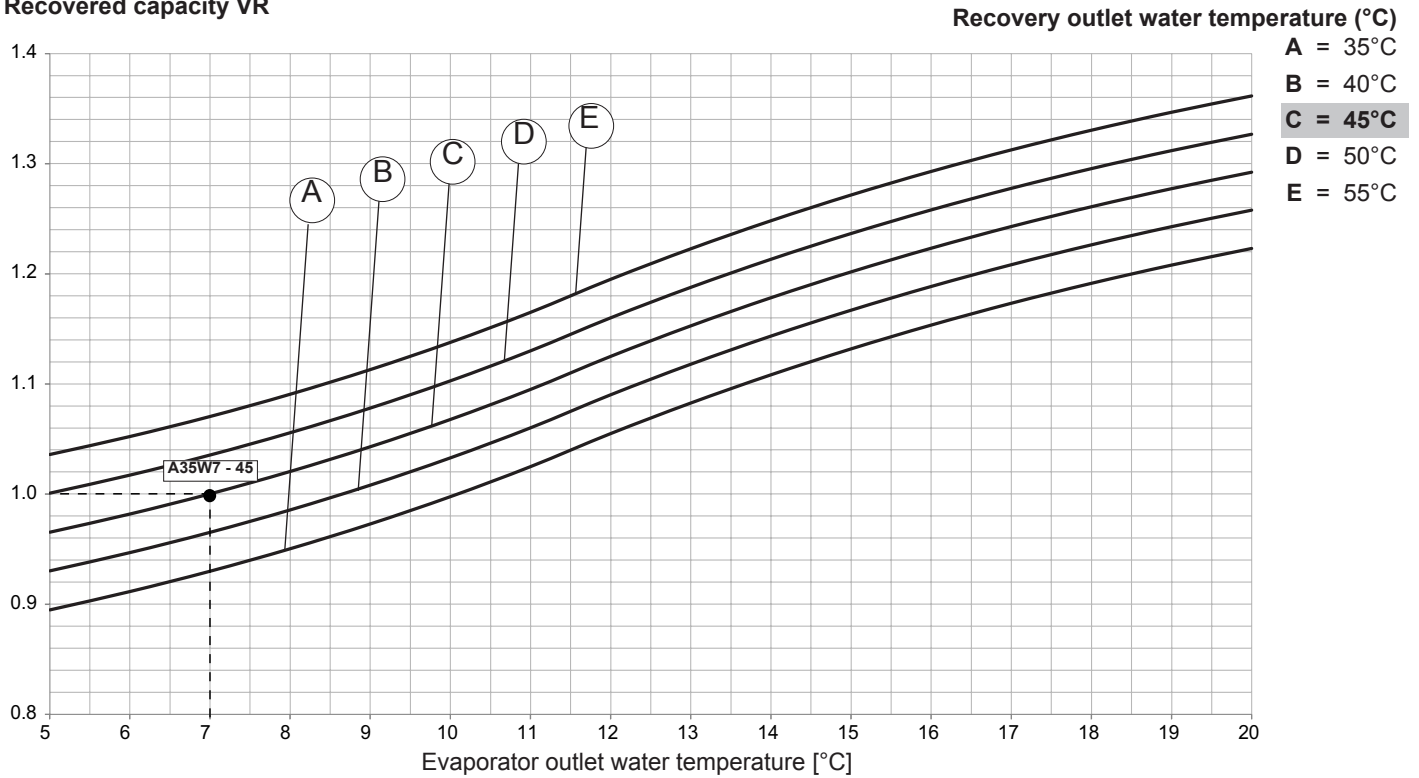
TECHNICAL DATA AND PERFORMANCE - RECOVERY VERSION (VR)

Total recovery VR performances

The graphs allow to get the corrective factors to be applied to the nominal performances in order to obtain the real performances in the selected operating conditions.

The reference nominal condition is: **A35W7 - 45** (source : air in 35°C d.b. / plant : water in 12°C out 7°C / Recovery : water in 40°C out 45°C)

Recovered capacity VR



The standard performances refer to a 5°C temperature difference between the water entering and leaving the heat exchanger and to operation of the unit with all fans at nominal or maximum speed. A $0.44 \times 10^{-4} \text{ m}^2 \text{ K/W}$ fouling factor has also been considered with the unit installed at zero meters above sea level ($P_b = 1013\text{mbar}$).

BR - BP UNIT

Corrective factors

Correction factors to apply to the basic version data.

ETHYLENE GLYCOL

Percentage Of glycol in mass / volume	20 / 18,1								
Freezing point [°C]	-8								
Produced water temperature	4	2	0	-2	-4	-6	-8	-10	-12
CCPF - Cooling capacity	0,912	0,855	0,798	0,738	0,683	-	-	-	-
CCPA - Power input	0,967	0,957	0,947	0,927	0,897	-	-	-	-
CCQA - Water flow rate	1,071	1,072	1,073	1,075	1,076	-	-	-	-
CCDP - Pressure drop	1,090	1,095	1,100	1,110	1,120	-	-	-	-

Percentage Of glycol in mass / volume	30 / 27,7								
Freezing point [°C]	-14								
Produced water temperature	4	2	0	-2	-4	-6	-8	-10	-12
CCPF - Cooling capacity	0,899	0,842	0,785	0,725	0,670	0,613	0,562	-	-
CCPA - Power input	0,960	0,950	0,940	0,920	0,890	0,870	0,840	-	-
CCQA - Water flow rate	1,106	1,107	1,108	1,109	1,110	1,111	1,112	-	-
CCDP - Pressure drop	1,140	1,145	1,150	1,155	1,160	1,175	1,190	-	-

Percentage Of glycol in mass / volume	40 / 37,5								
Freezing point [°C]	-22								
Produced water temperature	4	2	0	-2	-4	-6	-8	-10	-12
CCPF - Cooling capacity	0,884	0,827	0,770	0,710	0,655	0,598	0,547	0,490	0,437
CCPA - Power input	0,880	0,870	0,860	0,840	0,810	0,790	0,760	0,724	0,686
CCQA - Water flow rate	1,150	1,151	1,153	1,154	1,155	1,157	1,158	1,159	1,161
CCDP - Pressure drop	1,190	1,195	1,200	1,210	1,220	1,235	1,250	1,269	1,290

PROPYLENE GLYCOL

Percentage Of glycol in mass / volume	20 / 19,4								
Freezing point [°C]	-7								
Produced water temperature	4	2	0	-2	-4	-6	-8	-10	-12
CCPF - Cooling capacity	0,874	0,807	0,740	0,690	0,641	-	-	-	-
CCPA - Power input	0,945	0,935	0,925	0,900	0,875	-	-	-	-
CCQA - Water flow rate	1,037	1,038	1,039	1,039	1,040	-	-	-	-
CCDP - Pressure drop	1,110	1,115	1,120	1,130	1,140	-	-	-	-

Percentage Of glycol in mass / volume	30 / 29,4								
Freezing point [°C]	-13								
Produced water temperature	4	2	0	-2	-4	-6	-8	-10	-12
CCPF - Cooling capacity	0,869	0,799	0,729	0,680	0,630	0,583	0,536	-	-
CCPA - Power input	0,935	0,923	0,910	0,888	0,865	0,838	0,810	-	-
CCQA - Water flow rate	1,072	1,071	1,070	1,069	1,069	1,068	1,067	-	-
CCDP - Pressure drop	1,160	1,175	1,190	1,200	1,210	1,255	1,300	-	-

Percentage Of glycol in mass / volume	40 / 39,6								
Freezing point [°C]	-21								
Produced water temperature	4	2	0	-2	-4	-6	-8	-10	-12
CCPF - Cooling capacity	0,848	0,784	0,719	0,670	0,620	0,570	0,520	0,478	0,438
CCPA - Power input	0,865	0,855	0,845	0,820	0,795	0,773	0,750	0,714	0,680
CCQA - Water flow rate	1,116	1,114	1,112	1,110	1,108	1,107	1,105	1,103	1,101
CCDP - Pressure drop	1,230	1,275	1,320	1,375	1,430	1,500	1,570	1,642	1,724

Based on leaving water temperature of the evaporator and condensing temperature = 7°C extract Cooling Capacity (kWf) and Compressors Power Input (kW_a).

Based on type and percentage of glycol extract CCPF, CCPA, CCQA, CCDP.

Then calculate.

$$Pf_{brine} = kWf \times CCPF$$

$$Pass_{CP,brine} = kW_a \times CCPA$$

Then calculate brine flow rate:

$$Q_{brine, evap} [l/s] = CCQA \times (Pf_{brine} [kW] \times 0,86 / \Delta T_{brine}) / 3,6$$

where ΔT_{brine} is the difference between inlet-outlet evaporator water temperature:

$$\Delta T_{brine} = T_{in, evap, brine} - T_{out, evap, brine}$$

With this brine flow rate enter in abscissa on the water pressure drop of the evaporator then you have Dp_{app} .

Finally you can calculate the actual pressure drop of the brine on evaporator side:

$$Dp_{evap, brine} = CCDP \times Dp_{app}$$

NOISE LEVELS

The noise levels refer to units operating in the nominal conditions (water temperature: inlet: 12°C - outlet: 7°C, Outdoor air temperature: inlet: 30°C - outlet: 35°C). The acoustic pressure levels are measured 1/ 5 / 10 meters away from the outer surface of the unit operating in the free field and resting on a reflecting surface (directional factor of 2).

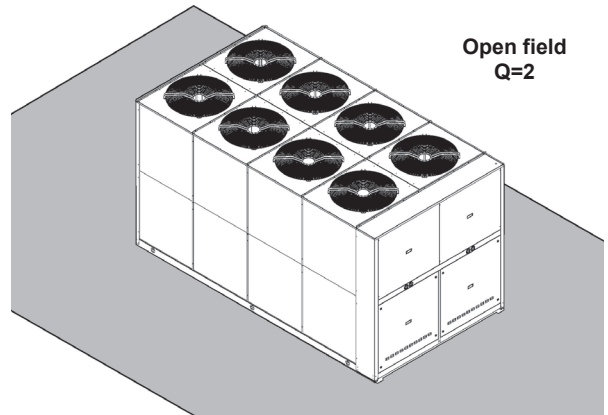
SWL = Sound power levels, with reference to 1×10^{-12} W.

The Total sound power level in **dB(A)** measured in compliance with **ISO 9614** standards, is certified according to the **Eurovent** certification program and it is the only mandatory value (the values of octave band in the table are indicative).

Eurovent certification (**E**) exclusively refers to the **Total Sound Power in dB(A)**, which is therefore the only binding acoustic specification (the values of the Octave bands in the table are indicative).

SPL = Sound pressure levels, with reference to 2×10^{-5} Pa.

The sound pressure levels are values calculated by applying the **ISO-3744 relation (Eurovent 8/1)** and refer to a distance of 1 meter away from the external surface of units operating in the open field with directivity factor 2 (Q=2) and the units operating in nominal conditions in the cooling mode.



Standard Unit AB

MOD.	SWL (dB)									SPL [dB(A)]			
	Octave bands (Hz)								Total		1 m	5 m	10 m
	63	125	250	500	1000	2000	4000	8000	dB	dB(A) ^(E)			
160.4	96,1	92,2	91,3	89,2	86,1	81,0	74,4	66,9	99	91	72	64	59
180.4	96,4	94,1	92,6	90,0	87,2	81,8	75,2	66,8	100	92	73	65	60
200.4	96,4	94,1	92,6	90,0	87,2	81,8	75,2	66,8	100	92	73	65	60
230.4	96,4	94,1	92,6	90,0	87,2	81,8	75,2	66,8	100	92	73	65	60
260.4	98,1	94,2	93,3	91,2	88,1	83,0	76,4	68,9	101	93	74	66	61
290.4	98,4	96,2	93,8	91,4	88,9	85,9	78,1	68,6	102	94	75	67	62
330.4	98,4	96,2	93,8	91,4	88,9	85,9	78,1	68,6	102	94	74	67	62
375.4	99,2	95,5	95,4	93,0	90,2	85,5	80,1	72,0	103	95	75	68	63
420.4	99,2	95,5	95,4	93,0	90,2	85,5	80,1	72,0	103	95	75	68	63

Low noise unit AS

MOD.	SWL (dB)									SPL [dB(A)]			
	Octave bands (Hz)								Total		1 m	5 m	10 m
	63	125	250	500	1000	2000	4000	8000	dB	dB(A) ^(E)			
160.4	91,4	89,0	86,8	82,3	79,4	75,8	67,3	58,0	95	85	66	58	53
180.4	92,4	90,0	87,8	83,3	80,4	76,8	68,3	59,0	96	86	67	59	54
200.4	92,4	90,0	87,8	83,3	80,4	76,8	68,3	59,0	96	86	67	59	54
230.4	92,4	90,0	87,8	83,3	80,4	76,8	68,3	59,0	96	86	67	59	54
260.4	94,2	91,9	89,4	85,3	81,0	74,6	67,0	58,6	97	87	68	60	55
290.4	92,4	90,1	88,6	86,0	83,3	77,8	71,2	62,8	96	88	69	61	56
330.4	92,4	90,1	88,6	86,0	83,3	77,8	71,2	62,8	96	88	68	61	56
375.4	95,4	93,0	90,8	86,3	83,4	79,8	71,3	62,0	99	89	69	62	57
420.4	95,4	93,0	90,8	86,3	83,4	79,8	71,3	62,0	99	89	69	62	57

Extra low noise unit AX

MOD.	SWL (dB)									SPL [dB(A)]			
	Octave bands (Hz)								Total		1 m	5 m	10 m
	63	125	250	500	1000	2000	4000	8000	dB	dB(A) ^(E)			
160.4	85,4	88,3	84,6	79,8	76,3	69,8	61,2	52,3	92	82	63	55	50
180.4	89,4	87,0	84,8	80,3	77,4	73,8	65,3	56,0	93	83	64	56	51
200.4	89,4	87,0	84,8	80,3	77,4	73,8	65,3	56,0	93	83	64	56	51
230.4	89,4	87,0	84,8	80,3	77,4	73,8	65,3	56,0	93	83	64	56	51
260.4	90,4	88,0	85,8	81,3	78,4	74,8	66,3	57,0	94	84	65	57	52
290.4	91,4	89,0	86,8	82,3	79,4	75,8	67,3	58,0	95	85	66	58	53
330.4	91,4	89,0	86,8	82,3	79,4	75,8	67,3	58,0	95	85	65	58	53
375.4	92,4	90,0	87,8	83,3	80,4	76,8	68,3	59,0	96	86	66	59	54
420.4	92,4	90,0	87,8	83,3	80,4	76,8	68,3	59,0	96	86	66	59	54

(E): EUROVENT certified data. The values are for units without options and accessories.

OOPERATING LIMITS

The table below lists the oOperating limits within which correct operation of the units is guaranteed, depending on the Version and Operating Mode available for each type of unit.
Remember that in Heat Pump units, heat recovery only takes place during operation in the cooling mode.

STANDARD UNIT

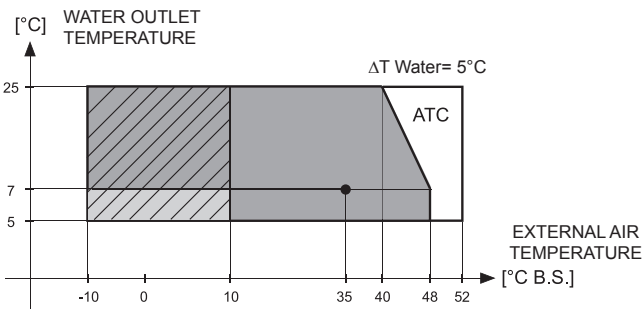
Thermal gradient of the water		Limit value
Minimum	°C	3
Maximum	°C	8

Verify that water flow rate is inside the admissible limits.

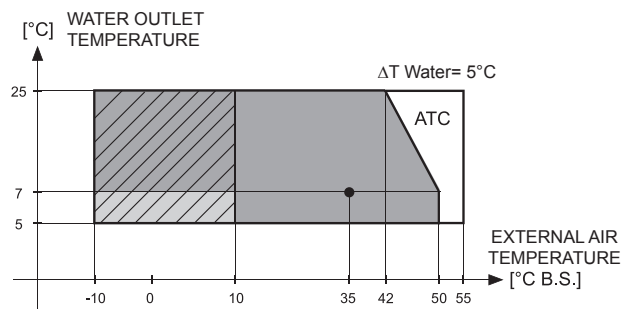
NOTE: the admissible limits for water flow rate on heat exchangers are indicated under the related pressure drop graph (see section "water pressure drop"). If the unit is equipped with pumping module the admissible limits are indicated under the related working head graph (see section "working head").

IN COOLING MODE

UNIT MEDIUM TEMPERATURE - 0 M 5

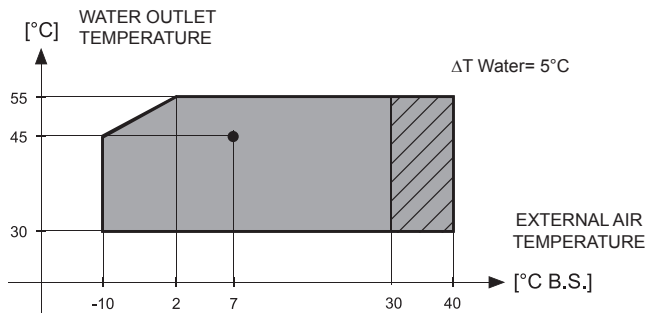


UNIT HIGH TEMPERATURE - 0 A 5



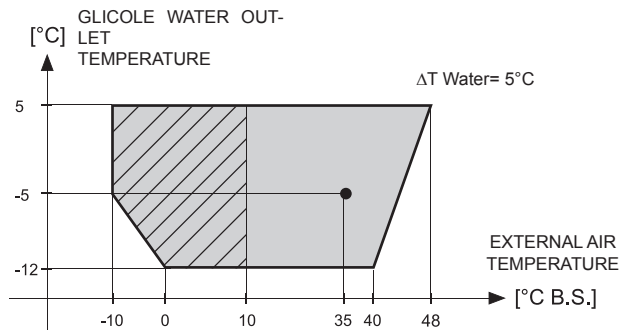
- With fans modulating control
- With fans modulating control and brine
- ATC (Advanced Temperature Control) function may occur, if present

IN HEATING MODE



- With fans modulating control

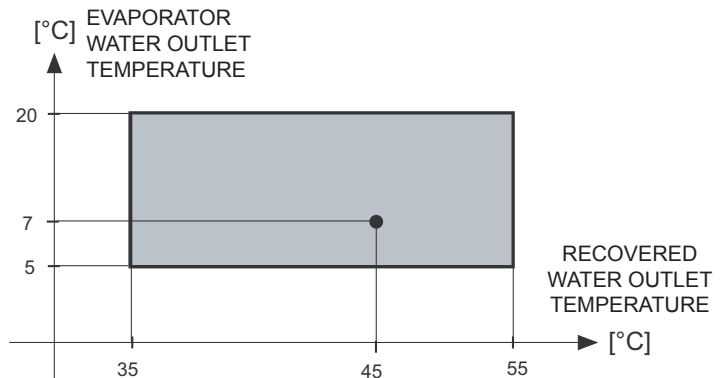
BRINE UNIT BR - BP - IN COOLING MODE



- With fans modulating control and brine is mandatory
- Brine is mandatory

HEAT RECOVERY UNIT

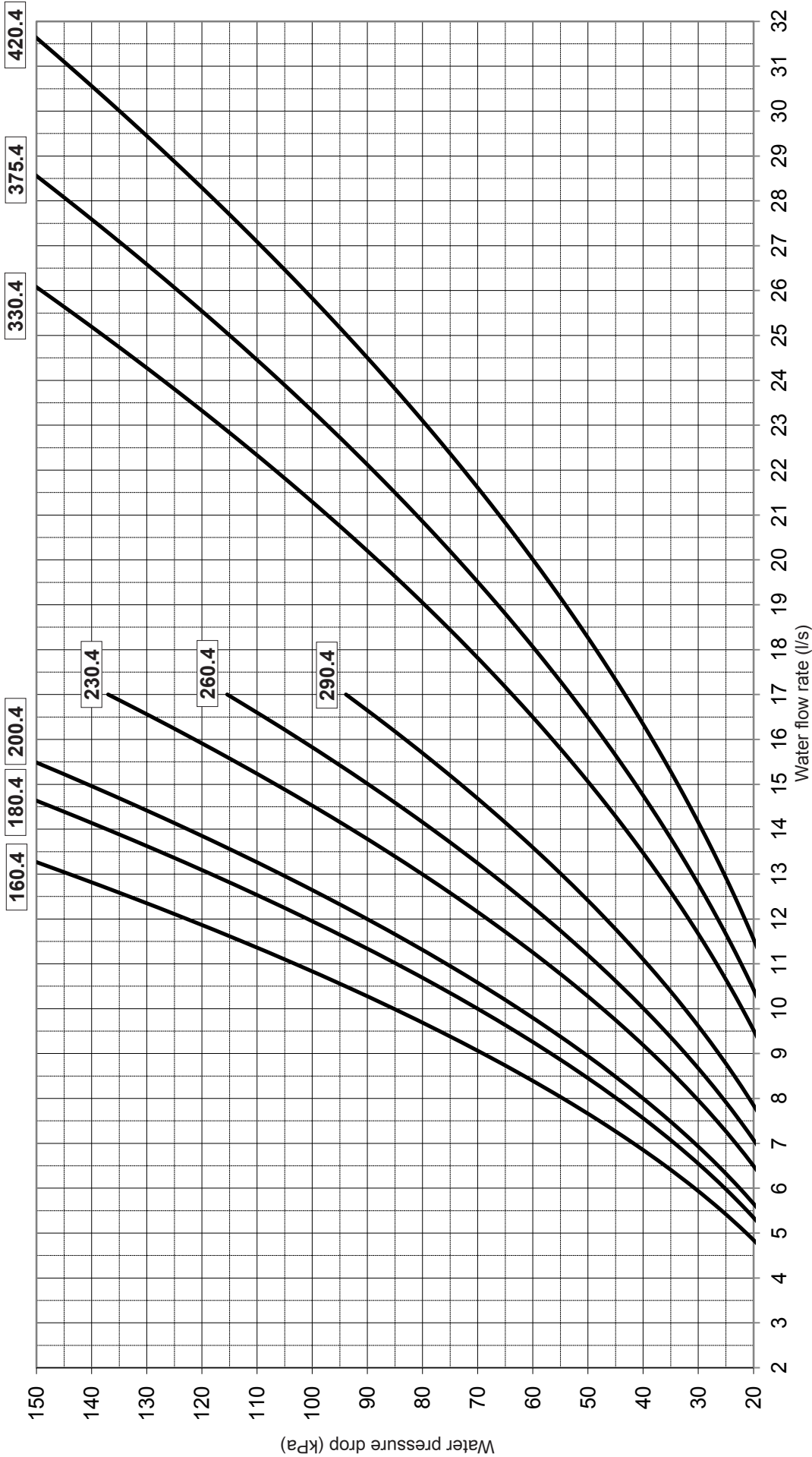
Version	Limit value
with Desuperheater (VD)	Recovery water temp. from 30 to 70°C (Refer to Desuperheater Standard Performances table)
Total Recovery (VR)	See graph



WATER PRESSURE DROP

Plant side exchanger

The graph below illustrates for the evaporator the water pressure drop values in kPa depending on the flow rate in liters/second. The Operating limits is delimited by the minimum and maximum values given in the next table.



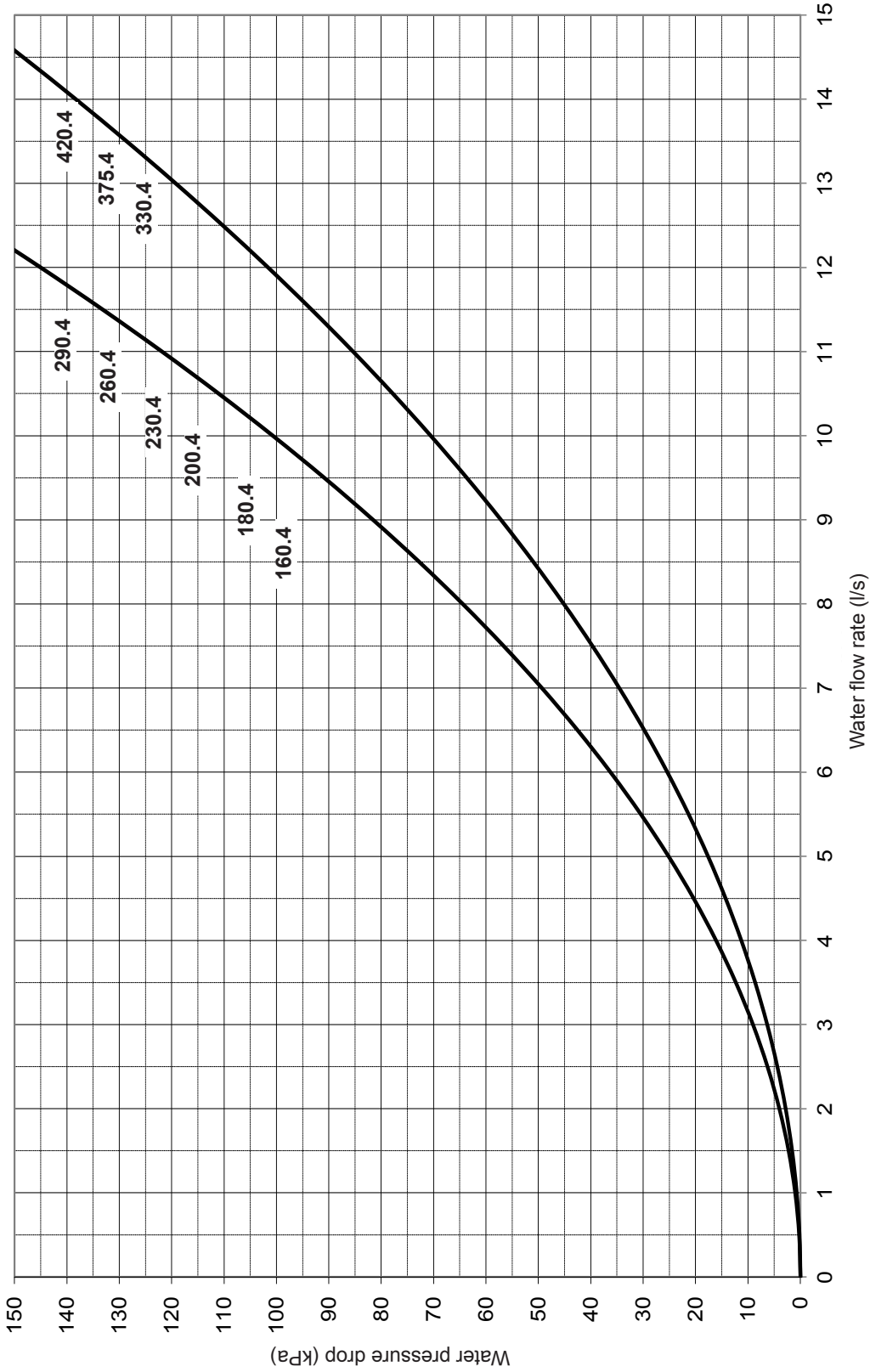
Operating limits

Unit size	160.4		180.4		200.4		230.4		260.4		290.4		330.4		375.4		420.4		UM	NOTES
	Q	Δp	Q	Δp	Q	Δp	Q	Δp	Q	Δp	Q	Δp	Q	Δp	Q	Δp	Q	Δp		
Lower limit value	4.85	5.34	5.67	6.49	7.07	7.82	9.51	10.43	11.57	13.3	14.6	15.5	17.2	17.2	20.0	26.0	28.6	31.7	31.7	Q= Water flow rate ΔP= Water pressure drop
Upper limit value	13.3	14.6	15.5	17.2	17.2	17.2	17.2	17.2	17.2	17.2	17.2	17.2	17.2	17.2	17.2	17.2	17.2	17.2	150	

WATER PRESSURE DROP

Desuperheaters

The graph below illustrates the water pressure drop values in kPa depending on the flow rate in liters/second. The Operating limits is delimited by the minimum and maximum values given in the next table.



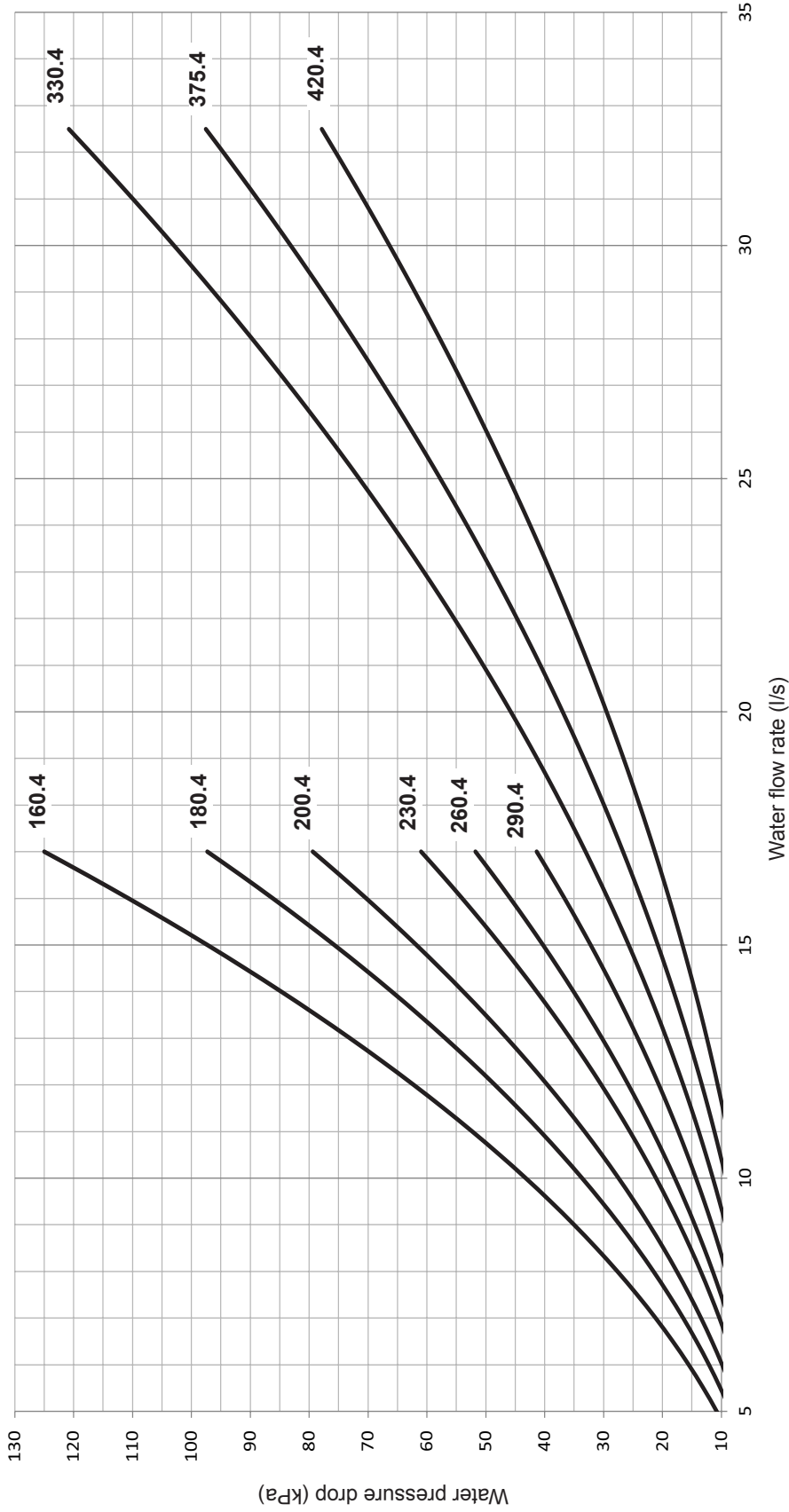
Operating limits

Unit size	160.4	180.4	200.4	230.4	260.4	290.4	330.4	375.4	420.4	UM	NOTES
Lower limit value	Q	0.00	0.00	0.00	0.00	0.00	0.00	0.00	0.00	l/s	Q= Water flow rate ΔP= Water pressure drop
Upper limit value	Q	12.2	12.2	12.2	12.2	12.2	12.2	14.6	14.6	l/s	
	Δp	0	12.2	12.2	12.2	12.2	14.6	14.6	14.6	kPa	
	Δp	150	150	150	150	150	150	150	150	kPa	

WATER PRESSURE DROP

Total recovery exchanger

The graph below illustrates the water pressure drop values in kPa depending on the flow rate in liters/second. The Operating limits is delimited by the minimum and maximum values given in the next table.



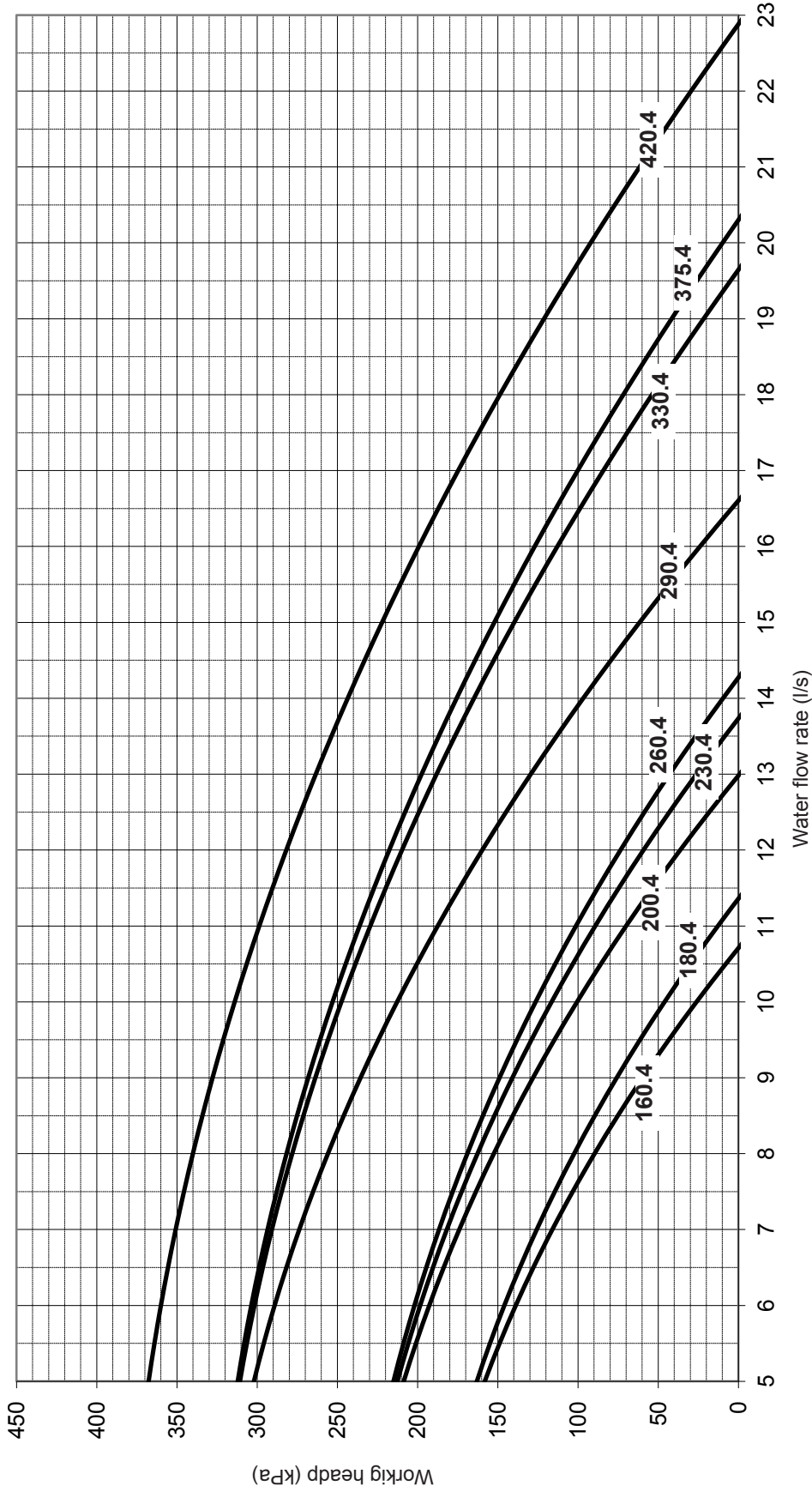
Operating limits

Unit size		160.4	180.4	200.4	230.4	260.4	290.4	330.4	375.4	420.4	UM	NOTES
Lower limit value	Q	5.00	5.60	6.20	7.00	7.30	8.50	9.70	10.50	11.70	l/s	Q= Water flow rate ΔP= Water pressure drop
	Δp	17.0	17.0	17.0	17.0	17.0	17.0	32.5	32.5	32.5	kPa	
Upper limit value	Q	17.0	17.0	17.0	17.0	17.0	17.0	32.5	32.5	32.5	l/s	
	Δp	17.0	17.0	17.0	17.0	17.0	17.0	32.5	32.5	32.5	kPa	

WORKING HEAD

Working head pumps MP AM STD e MP SS STD

Working head is that at the pumping module outlet reduced by all pressure losses inside the unit. The graph below illustrates for the pumping module the working head values in kPa depending on the flow rate in liters/second. The Operating limits is delimited by the minimum and maximum values given in the next table.



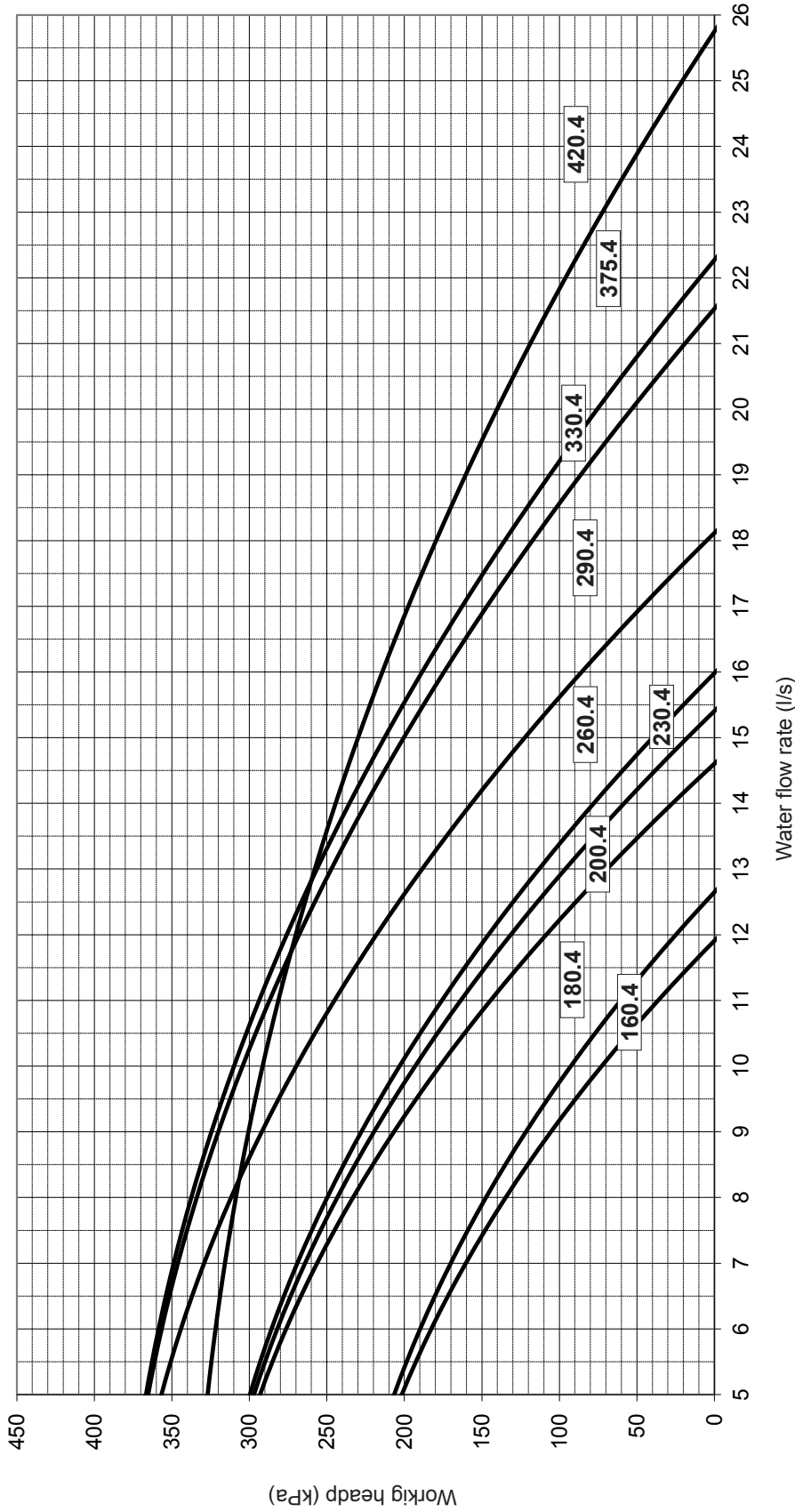
Operating limits

Unit size		160.4	180.4	200.4	230.4	260.4	290.4	330.4	375.4	420.4	UM	NOTE
Lower limit value	Q	4.85	5.34	5.67	6.49	7.07	7.82	9.51	10.43	11.57	l/s	Q= Water flow rate
Upper limit value	Q	10.7	11.4	13.0	13.7	14.3	16.6	19.6	20.3	22.8	l/s	

WORKING HEAD

Working head pumps MP AM HP1 e MP SS HP1

Working head is that at the pumping module outlet reduced by all pressure losses inside the unit. The graph below illustrates for the pumping module the working head values in kPa depending on the flow rate in liters/second. The Operating limits is delimited by the minimum and maximum values given in the next table.

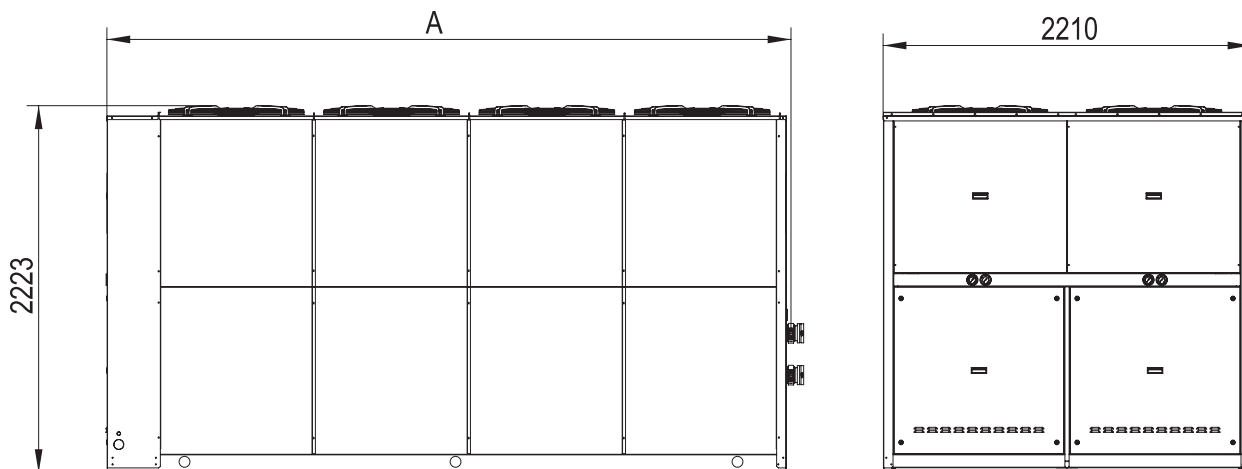


Operating limits

Unit size		160.4	180.4	200.4	230.4	260.4	290.4	330.4	375.4	420.4	UM	NOTE
Lower limit value	Q	4.85	5.34	5.67	6.49	7.07	7.82	9.51	10.43	11.57	l/s	Q= Water flow rate
Upper limit value	Q	11.9	12.6	14.6	15.5	16.0	18.1	21.5	22.2	25.7	kPa	

DIMENSIONAL AND PHYSICAL DATA

Overall dimensions



Weight refers to Standard unit VB, low noise unit AX with water storage tank accessory (SAA) and 2 pumps hydronic kit (M2P).

Model	160.4	180.4	200.4	230.4	260.4	290.4	330.4	375.4	420.4	UM	
Frame	1						2				-
Length A [mm]	3164						4097				mm
IR transport unit weight [kg]	1990	2170	2354	2520	2580	2605	2895	3005	3074	kg	
IR operation unit weight [kg]	2345	2527	2714	2883	2943	2969	3649	3761	3831	kg	
IP transport unit weight [kg]	2089	2278	2471	2646	2709	2735	3040	3156	3228	kg	
IP operation unit weight [kg]	2441	2633	2829	3005	3069	3096	3790	3907	3980	kg	
IN / OUT connection	3"						4"				-

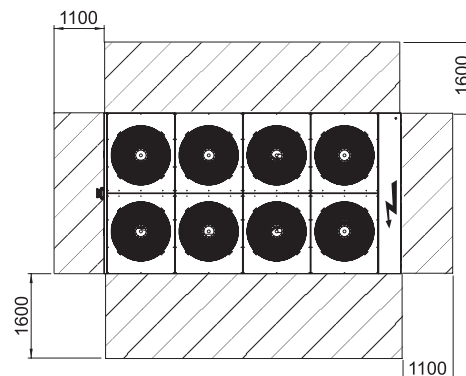
Minimum space required for operation

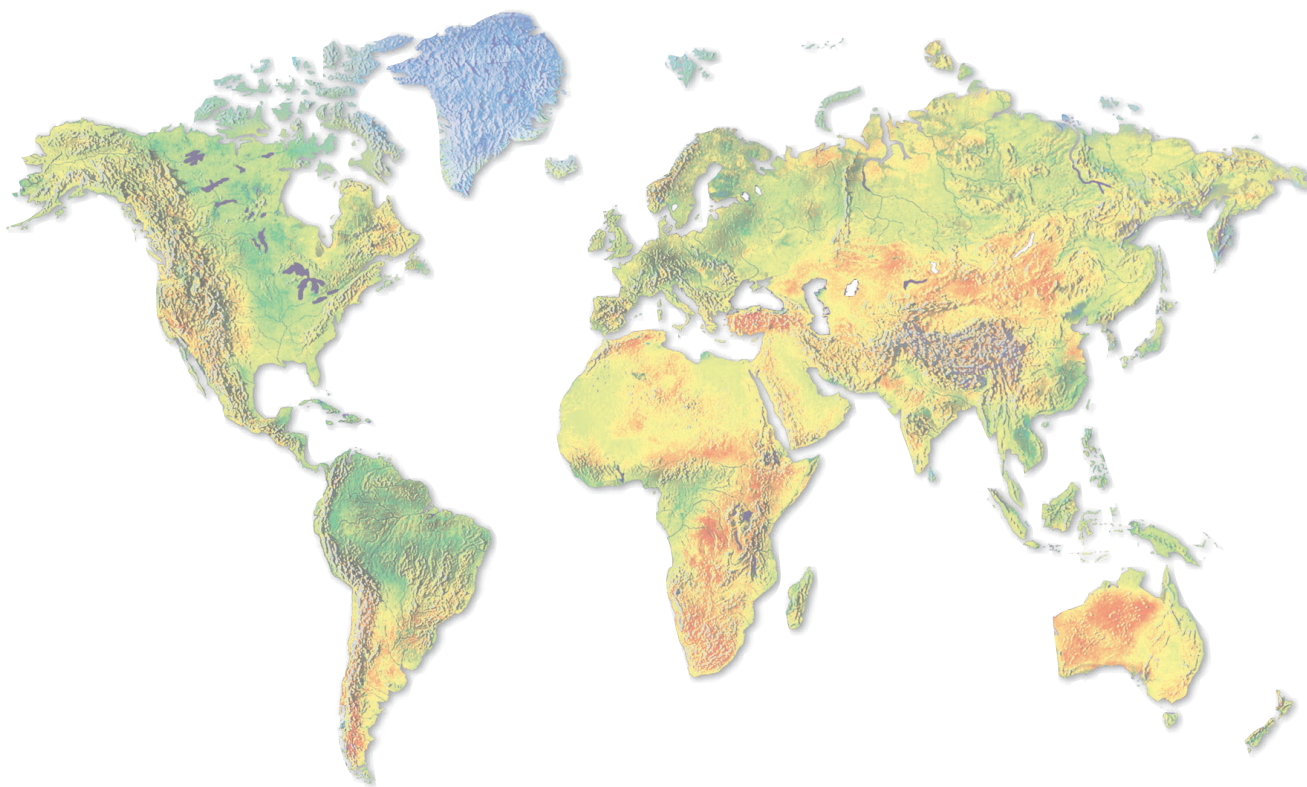
To correctly install the unit, comply with the measurements for the free area that must be left around the machine, as shown in the figure.

This will ensure good air circulation, allow the unit to operate correctly and facilitate future maintenance work.

The distances must be doubled if the unit is to be installed in a pit.

NOTE. Allow for an uncluttered area of not less than 2.5 meters above the unit.





FERROLI *around the World*

ITALY www.ferroli.it

SPAIN www.ferroli.es

FRANCE www.ferroli.fr

GERMANY www.ferroli.de

UNITED KINGDOM www.dpac.co.uk

NETHERLANDS www.ferroli.nl

CROATIA www.ferroli.hr

ROMANIA www.ferroli.ro

TURKEY www.ferroli.com.tr

HUNGARY www.ferroli.hu

POLAND www.ferroli.com.pl

UKRAINE www.ferroli.ua

RUSSIA www.ferroli-ac.ru

BELARUS www.ferroli.klimatoff.com

CHINA www.ferroli.com.cn

WARNING FOR TRADERS:

As part of its efforts to constantly improve its range of products, with the aim of increasing the level of Customer satisfaction, the Company stresses that the appearance, dimensions, technical data and accessories may be subject to variation. Consequently, ensure that the Customer is provided with updated documents. The products described in this document are covered by warranty if purchased and installed in Italy.

